



Low profile in-line mixed flow duct explosion proof fans. TD-800 Ex is manufactured in antistatic plastic material. The others models are manufactured from sheet steel protected with black polyester paint coating. Detachable fan unit without demounting duct connections.

ATEX

Explosion proof versions in accordance with ATEX Directive, for single phase 230V-50Hz. Motors IP44, Class B. For ambient working temperatures from -20°C to +40°C.

- ATEX Increased safety - Gas

For model 800:

⊕ II 2G Ex eb IIB T3 Gb

EC: LOM 08 ATEX 2052 X Supplement 2.

For models 1100 and 1200:

⊕ II 2G Ex eb IIB T3 Gb

EC: LOM 11 ATEX 2021 X Supplement 1.

See data for selection, or refer to Easyvent.



Mixed flow impeller
Efficient performance mixed flow impeller.



External terminal box and ATEX capacitor, External terminal box, IP55, easy access, fireproof plastic V0.



Earth connection.

Specific applications



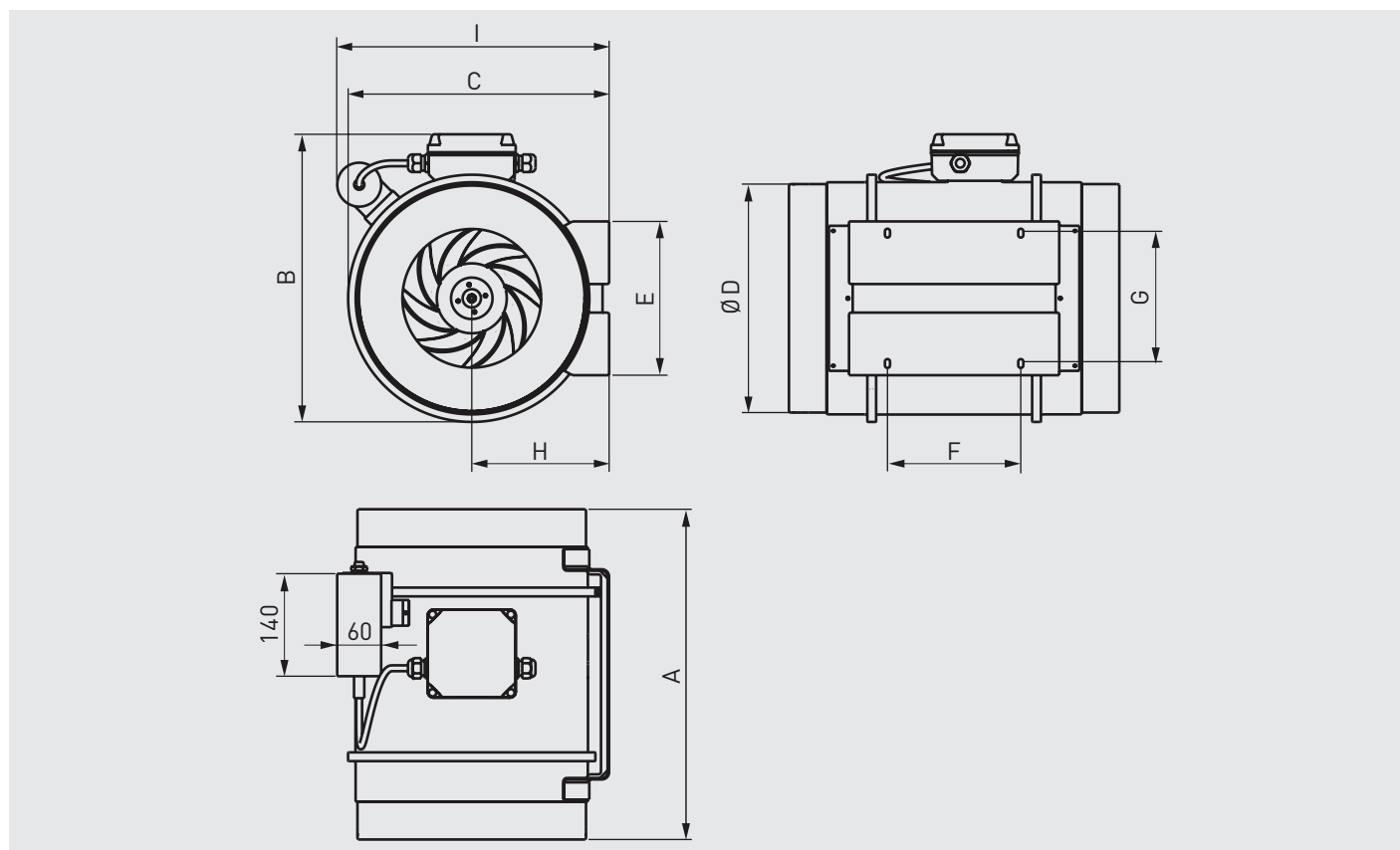
TECHNICAL CHARACTERISTICS

Model	Speed (rpm)	Maximum absorbed power (W)	Maximum absorbed current (A)	Airflow at free discharge (m ³ /h)	Operating temperature (°C)	Sound pressure level* (dB(A))			Ø Duct (mm)	Weight (kg)	Wiring diagram** (n°)
						Inlet	Radiated	Outlet			
TD-800/200 ATEX	2450	120	0,50	1.020	-20/+40	53	43	55	200	5	38
TD-1100/250 ATEX	2630	197	0,81	1.130	-20/+40	59	46	65	250	20	38
TD-1200/315 ATEX	2600	170	0,71	1.320	-20/+40	56	44	59	315	25	38

* Radiated sound pressure level measured at 3 m in free field conditions with rigid ducts at the inlet and at the outlet, at point "B" of the curve.

** See section of Wiring Diagrams.

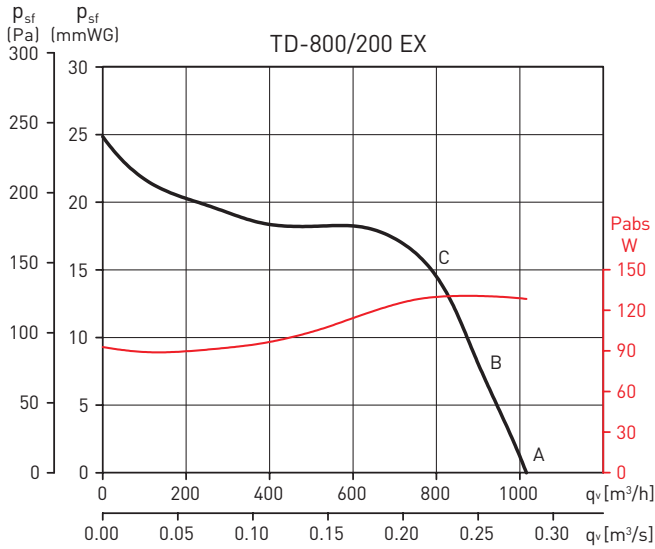
DIMENSIONS (mm)



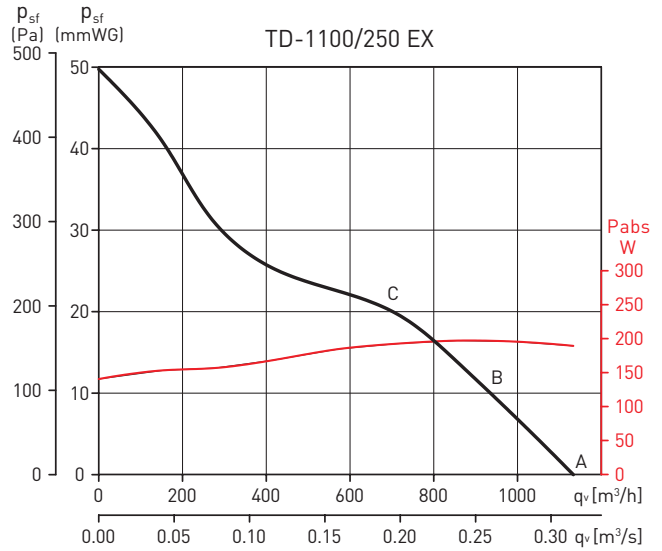
Model	A	B	C	Ø D	E	F	G	H	I
TD-800/200 ATEX	302	255	232,5	198	140	100	94	124	275,6
TD-1100/250 ATEX	386	324	291	248	168	145	140	155	339
TD-1200/315 ATEX	450	392	356	312	210	182	178	188	371

PERFORMANCE CURVES

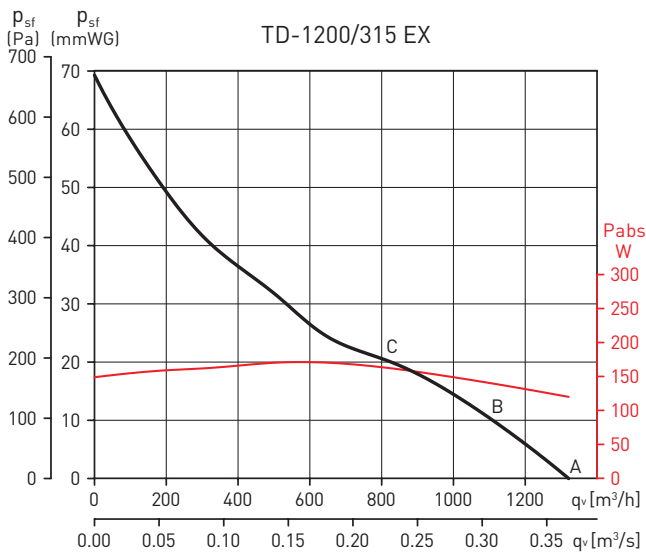
- q_v : Airflow in m^3/h and m^3/s .
- p_{st} : Static pressure in mmWG and Pa.
- Dry air at 20°C and 760 mmHg.
- Performance data in accordance with ISO 5801 and AMCA 210-99 Standards.



TD-800/200 EX		63	125	250	500	1000	2000	4000	8000	LwA
Inlet	A	27	43	53	61	69	69	65	56	73
	B	29	43	55	62	69	70	66	56	74
	C	39	49	69	71	74	70	63	55	78
Outlet	A	50	50	53	64	69	71	66	56	74
	B	44	45	54	66	70	71	67	57	75
	C	39	48	68	72	75	71	64	55	78
Radiated	A	7	38	37	44	58	61	52	39	63
	B	9	38	39	45	58	62	53	39	64
	C	19	44	53	54	63	62	50	38	66



TD-1100/250 EX		63	125	250	500	1000	2000	4000	8000	LwA
Inlet	A	40	57	69	75	73	76	66	59	80
	B	40	58	70	75	72	74	65	57	79
	C	40	62	74	73	69	71	62	54	78
Outlet	A	54	55	70	80	82	81	72	62	86
	B	48	53	70	80	81	79	70	61	85
	C	41	56	72	80	78	76	68	58	84
Radiated	A	32	37	45	53	63	65	55	49	68
	B	32	38	46	53	62	63	54	47	66
	C	32	42	50	51	59	60	51	44	63



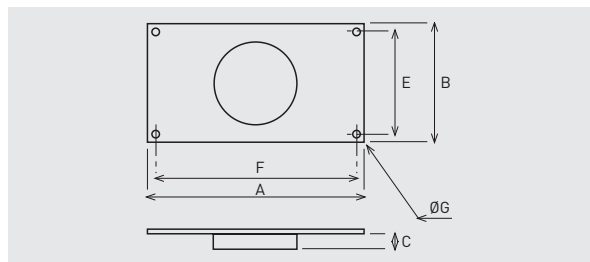
TD-1200/315 EX		63	125	250	500	1000	2000	4000	8000	LwA
Inlet	A	32	55	67	69	71	69	64	59	76
	B	34	58	70	70	71	69	64	59	76
	C	39	63	73	72	73	70	65	58	79
Outlet	A	47	55	67	72	74	72	67	62	78
	B	42	57	71	73	74	72	67	61	79
	C	39	60	74	75	75	74	68	60	81
Radiated	A	20	37	49	55	61	60	51	48	65
	B	22	40	52	56	61	60	51	48	65
	C	27	45	55	58	63	61	52	47	66

MOUNTING ACCESSORIES



MAR
 Rectangular duct adapters.

Model	Type of TD-ATEX	Nominal dim. of ducting L x H (mm)
MAR - 800	800/200	315 x 200
MAR - 1000	1100/250	400 x 250
MAR - 2000	1200/315	500 x 315



Model	A	B	C	E	F	ØG
MAR - 800	355	240	37	220	335	9
MAR - 1000	440	290	42	270	420	9
MAR - 2000	540	355	52	355	520	9

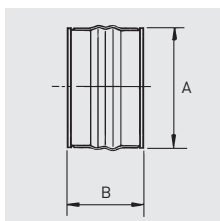


MRJ
Grilles mounted at the inlet or outlet of the fan, to prevent the entry of any foreign objects that could damage the fan.

Model	Type of TD-ATEX
MRJ - 800	800/200
MRJ - 1000	1100/250
MRJ - 2000	1200/315



ACOPEL EX
 Proof explosion flexible connection.



Model fan	Model connection	ØA	B
TD-800/200 EX	ACOPEL EX-200/160 N	200	160
TD-1100/250 EX	ACOPEL EX-250/160 N	250	160
TD-1200/315 EX	ACOPEL EX-315/160 N	315	160

For more information see Mounting accessories.