



Cabinet fans for smoke extraction certified F400-120. Cabinet fans manufactured from galvanised sheet steel and protected against corrosion.

Internally lined with 7 mm thickness of melamine acoustic foam insulation (M1). All models are fitted with forward curved centrifugal impellers.

Motors

All motors are IP55, class F insulation. Available, depending upon the model, with three phase motors in 4 or 6 poles. Electrical supply:

Three phase 230/400V-50Hz, up to 3 kW.
400V-50Hz, for higher motor powers.

(See characteristics chart).

On request

Two speed motors.

Specific applications



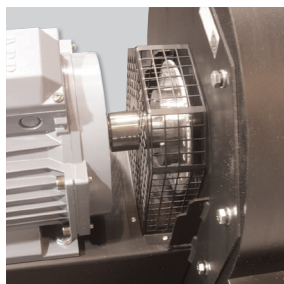
Officially approved to EN12101-3 standard



Continuous

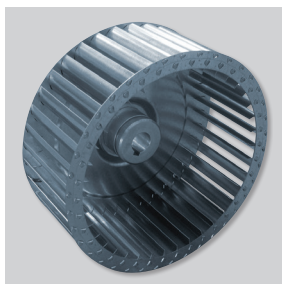


Car parks



Standard motor with cooling wheel

Standard motor heat removal system ensures extraction of high temperature air stream.



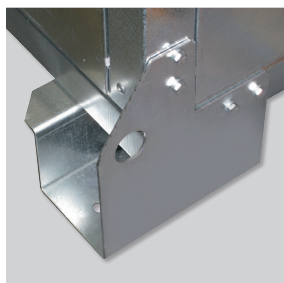
Impeller dynamically balanced

Impeller dynamically balanced, according to ISO 1940 standard, providing vibration free operation.



Low noise level

Acoustic insulation of 7 mm thickness flame retardant (M1) melamine foam reducing the noise level significantly.



Easy to install

The cabinets have fixing points on the corners easing the installation either on the floor or ceiling.



Flexible coupling at the discharge and inlet

To reduce vibration and noise transmissions to the installations.

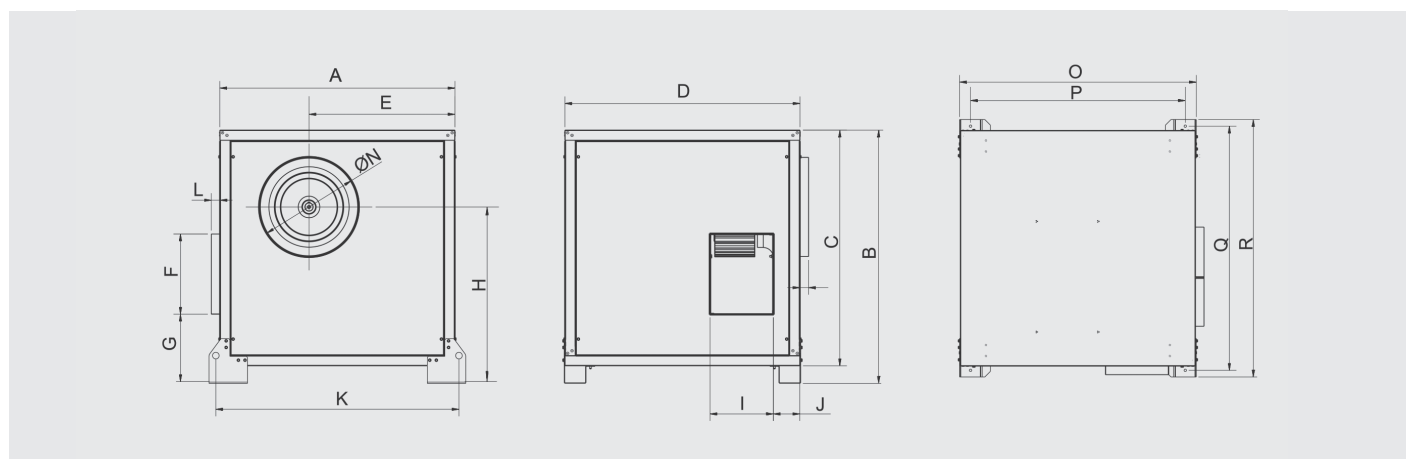
TECHNICAL CHARACTERISTICS

Before installation check that the product electrical characteristics listed on the data plate label (voltage, power, frequency, etc.) match those of the intended electrical supply.

Model	Speed (rpm)	Maximum absorbed power (W)	Maximum absorbed current (A)		Maximum airflow (m³/h)	Sound pressure level* (dB(A))
			230V	400V		
4 POLES						
CRMTC/4-225/090-0,55	1390	0,55	2,85	1,65	2.350	64
CRMTC/4-250/100-1,1	1390	1,1	4,8	2,8	3.600	66
CRMTC/4-250/100-1,5	1400	1,5	6,4	3,7	3.900	67
CRMTC/4-280/115-2,2	1400	2,2	9,1	5,3	5.050	69
CRMTC/4-280/115-3	1400	3	12,6	7,3	5.500	70
CRMTC/4-315/130-2,2	1400	2,2	9,1	5,3	5.450	66
CRMTC/4-315/130-3	1400	3	12,6	7,3	6.400	69
CRMTC/4-315/130-4	1420	4	-	9,3	7.100	72
CRMTC/4-355/145-3	1400	3	12,6	7,3	6.200	69
CRMTC/4-355/145-4	1420	4	-	9,3	7.700	72
CRMTC/4-355/145-5,5	1440	5,5	-	12	9.300	75
CRMTC/4-355/145-7,5	1445	7,5	-	15,5	10.700	77
CRMTC/4-400/165-4	1420	4	-	9,3	7.200	71
CRMTC/4-400/165-5,5	1440	5,5	-	12	8.300	74
CRMTC/4-400/165-7,5	1445	7,5	-	15,5	10.460	77
CRMTC/4-450/185-5,5	1445	5,5	-	12	7.560	77
CRMTC/4-450/185-7,5	1445	7,5	-	15,5	9.900	80
CRMTC/4-500/205-7,5	1445	7,5	-	15,5	8.410	77
CRMTC/4-500/205-9,2	1450	9,2	-	21,5	10.300	79
CRMTC/4-500/205-11	1450	11	-	22,5	11.250	81
CRMTC/4-500/205-15	1460	15	-	31	15.930	83
6 POLES						
CRMTC/6-355/145-1,5	945	1,5	7,5	4,3	6.700	69
CRMTC/6-400/165-2,2	950	2,2	10,8	6,2	7.750	66
CRMTC/6-450/185-2,2	950	2,2	10,8	6,2	7.800	69

* The sound levels shown on the curves are radiated sound pressure levels, measured at 1,5 m, in free field conditions and outlet ducted.

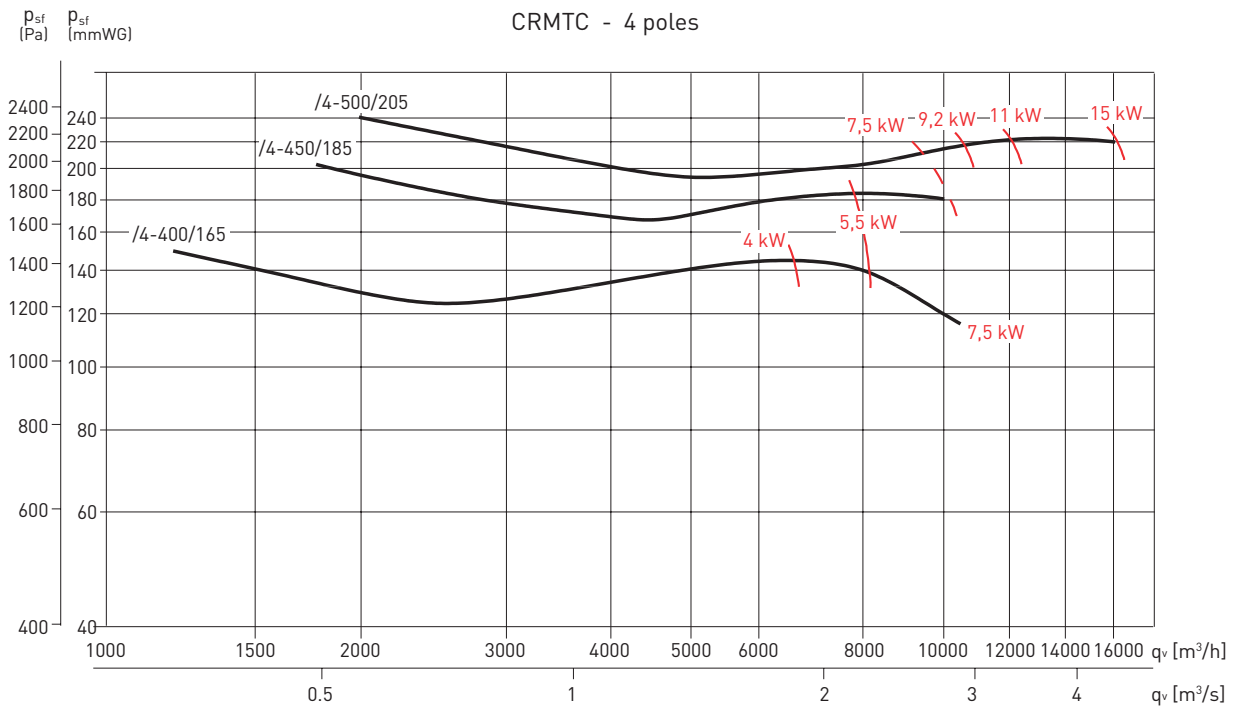
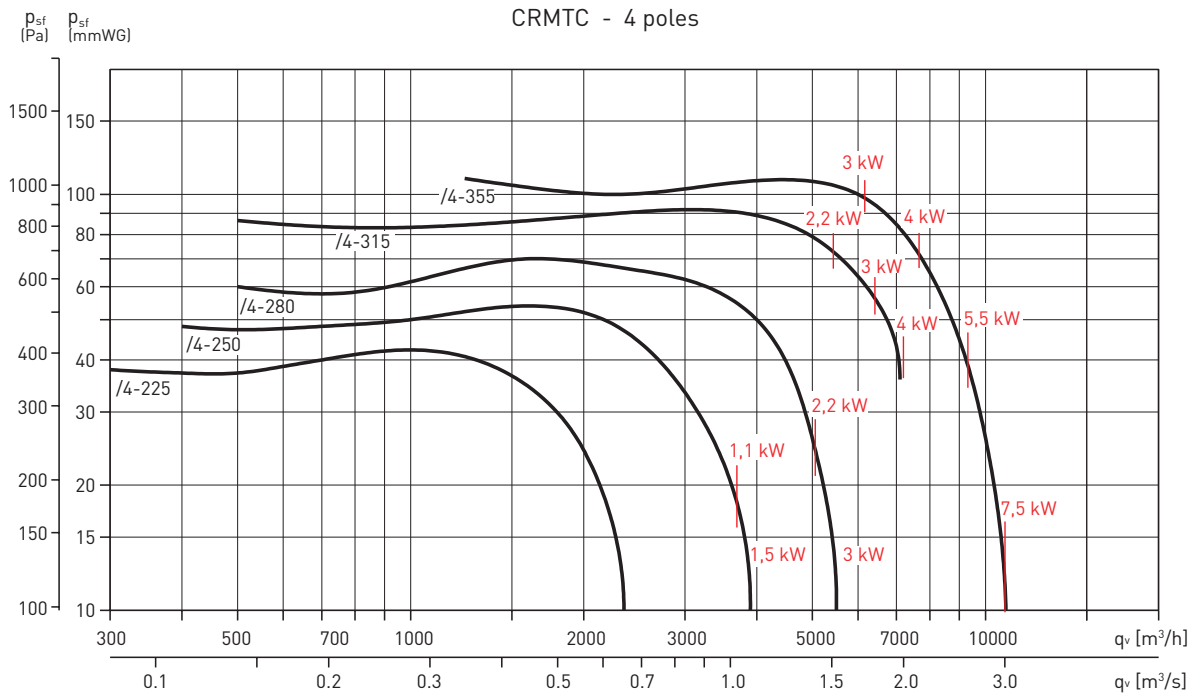
DIMENSIONS (mm)



Model	A	B	C	D	E	F	G	H	I	J	K	L	M	N	O	P	Q	R
CRMTC- 225	660	740	660	660	380	253	190	431	168	105	696	40	40	224	668	568	698	758
CRMTC- 250	660	740	660	660	383	253	190	461	168	105	696	40	40	250	668	568	698	758
CRMTC- 280	800	880	800	800	480	303	219	521	183	111	836	40	40	280	807	707	838	898
CRMTC- 315	800	880	800	800	458	303	268	571	203	111	836	40	40	280	807	707	838	898
CRMTC- 315	800	880	800	800	458	303	268	571	203	111	836	40	40	280	807	707	838	898
CRMTC- 355	880	960	880	880	526	283	263	646	231	115	916	40	40	355	887	787	918	978
CRMTC- 400	970	1050	970	970	596	324	283	716	254	120	1006	40	40	400	977	877	1008	1068
CRMTC- 450	1070	1150	1070	1070	664	364	314	801	288	120	1106	40	40	450	1077	977	1108	1168
CRMTC- 500	1160	1240	1160	1160	711	454	299	841	319	120	1196	40	40	500	1160	1067	1198	1258

PERFORMANCE CURVES

- q_v : Airflow in m^3/h and m^3/s .
- p_{sf} : Static pressure in mmWG and Pa.
- Dry air at 20°C and 760 mmHg.
- Performance data in accordance with ISO 5801 and AMCA 210-99 Standards.



PERFORMANCE CURVES

- q_v : Airflow in m^3/h and m^3/s .
- p_{sf} : Static pressure in mmWG and Pa.
- Dry air at 20°C and 760 mmHg.
- Performance data in accordance with ISO 5801 and AMCA 210-99 Standards.

