



Acoustic cabinet fans certified F400-120 (CE marked).

Range of single inlet direct driven low pressure forward curved centrifugal fans manufactured from galvanised sheet steel and protected against corrosion. Internally lined with 7 mm thickness of melamine acoustic foam insulation (M1). All models incorporate F400-120 rated motors approved to operate continuously (S1) and in emergency situations (S2).

Motors

All motors are IP55, class H insulation. Available, depending upon the model, with three phase motors in 4 or 6 poles. Electrical supply:

Three phase 230/400V-50Hz, up to 3 kW.
400V-50Hz, for higher motor powers.

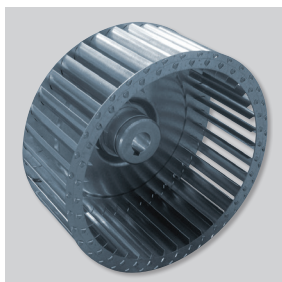
(See characteristics chart)

On request

Two speed motors.



Approved motor S1 and S2
All models incorporate F400-120 rated motors approved to operate continuously (S1) and in emergency situations (S2).



Impeller dynamically balanced
Impeller dynamically balanced, according to ISO 1940 standard, providing vibration free operation.



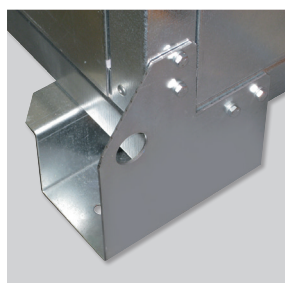
Low noise level
Acoustic insulation of 7 mm thickness flame retardant (M1) melamine foam reducing the noise level significantly.

Specific applications



Car parks

Industrial Kitchens



Easy to install
The cabinets have fixing points on the corners easing the installation either on the floor or ceiling.



Flexible coupling at the discharge and inlet
To reduce vibration and noise transmissions to the installations.

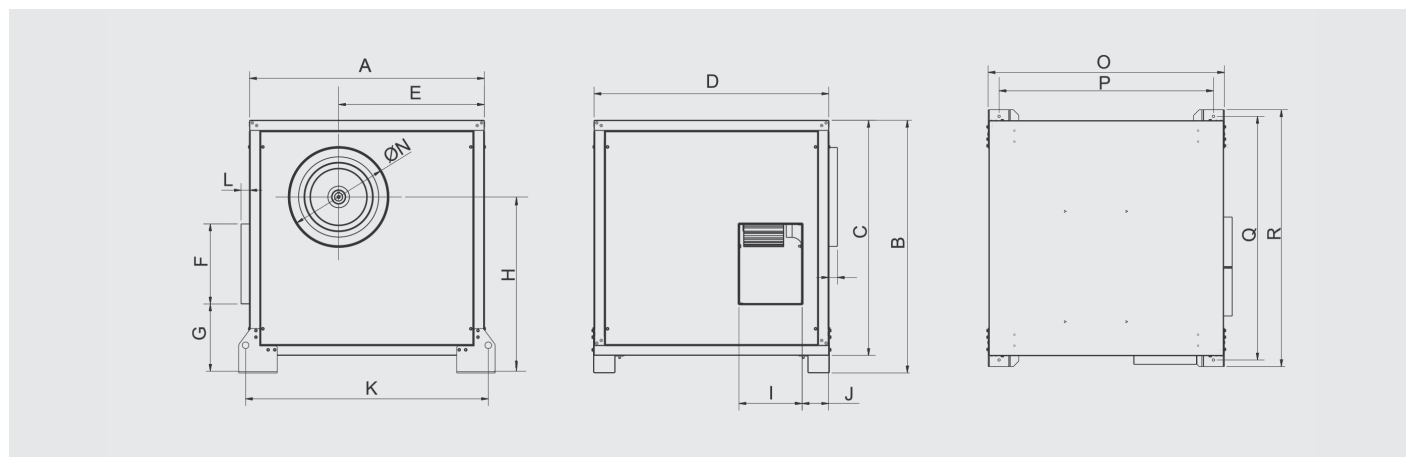
TECHNICAL CHARACTERISTICS

Before installation check that the product electrical characteristics listed on the data plate label (voltage, power, frequency, etc.) match those of the intended electrical supply.

Model	Speed (rpm)	Maximum absorbed power (W)	Maximum absorbed current (A)		Maximum airflow (m³/h)	Sound pressure level * (dB(A))
			230V	400V		
4 POLES						
CHMTC/4-225/090-0,55	1430	0,55	2,4	1,4	2.600	65
CHMTC/4-250/100-1,1	1390	1,1	4,7	2,7	3.600	66
CHMTC/4-250/100-1,5	1400	1,5	6,6	3,8	3.900	67
CHMTC/4-280/115-2,2	1400	2,2	9,5	5,5	5.069	69
CHMTC/4-315/130-2,2	1400	2,2	9,5	5,5	5.466	66
CHMTC/4-315/130-3	1400	3	13	7,5	6.400	69
CHMTC/4-315/130-4	1420	4	-	9,5	7.100	72
CHMTC/4-355/145-3	1400	3	13	7,5	6.200	69
CHMTC/4-355/145-4	1420	4	-	9,5	7.700	72
CHMTC/4-355/145-5,5	1440	5,5	-	12,5	9.300	75
CHMTC/4-355/145-7,5	1445	7,5	-	16	10.700	77
CHMTC/4-400/165-4	1420	4	-	9,5	7.200	71
CHMTC/4-400/165-5,5	1440	5,5	-	12,5	8.300	74
CHMTC/4-400/165-7,5	1445	7,5	-	16	10.460	77
CHMTC/4-450/185-5,5	1470	5,5	-	12,9	7.560	77
CHMTC/4-450/185-7,5	1470	7,5	-	16	9.900	80
CHMTC/4-500/205-11	1467	11	-	23	11.281	
CHMTC/4-500/205-15	1470	15	-	31	15.930	83
6 POLES						
CHMTC/6-315/130-1,1	965	1,1	3,3	5,7	5.400	63
CHMTC/6-355/145-1,1	965	1,1	3,3	5,7	6.700	68
CHMTC/6-400/165-2,2	975	2,2	3,7	6,3	7.590	67
CHMTC/6-450/185-2,2	975	2,2	3,7	6,3	7.110	69

* Measured at 1,5 meters at the fan inlet side in free field.

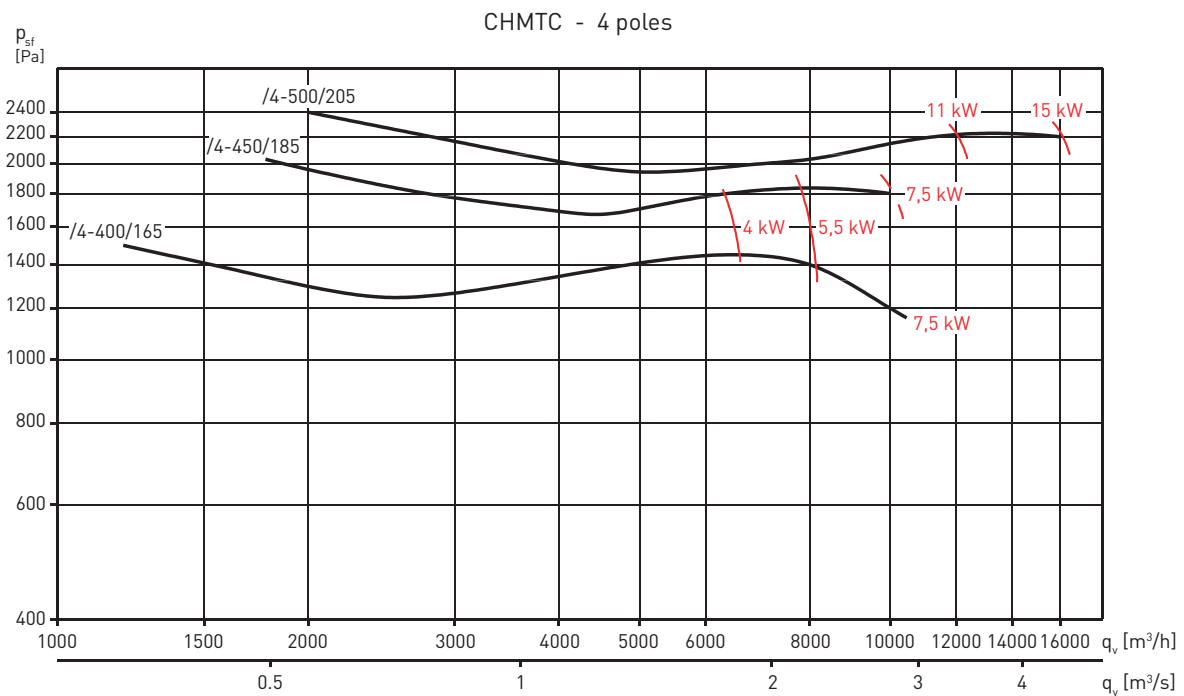
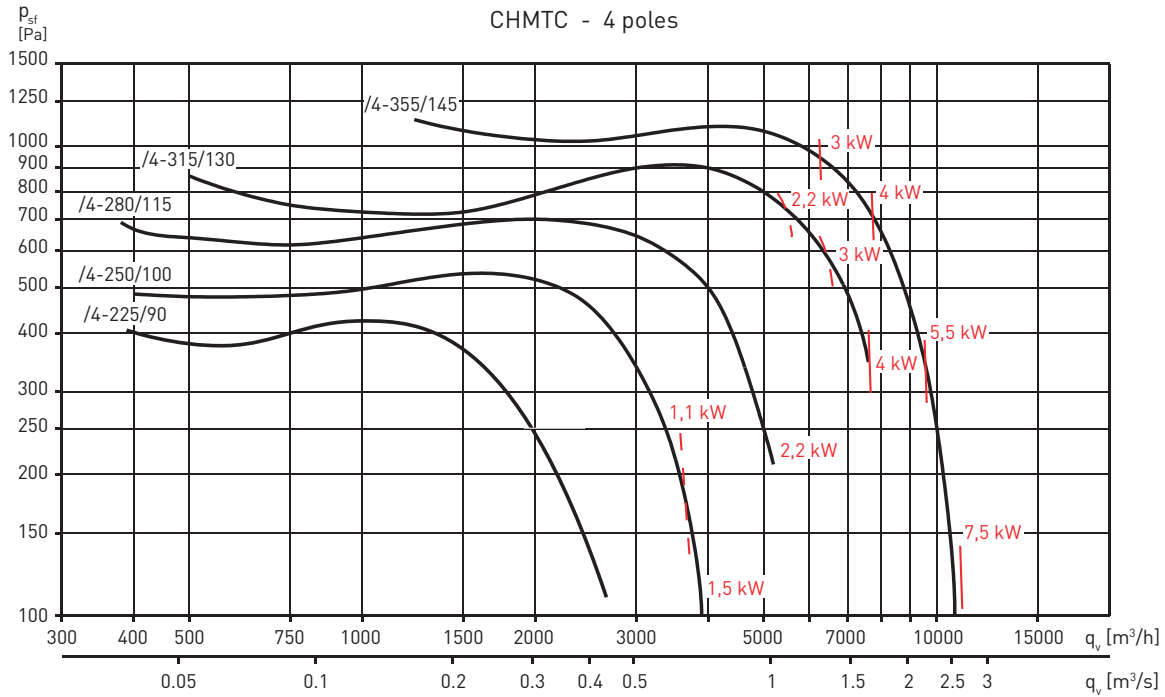
DIMENSIONS (mm)



Model	A	B	C	D	E	F	G	H	I	J	K	L	M	N	O	P	Q	R
CHMTC- 225	660	740	660	660	380	253	190	431	168	105	696	40	40	224	668	568	698	758
CHMTC- 250	660	740	660	660	383	253	190	461	168	105	696	40	40	250	668	568	698	758
CHMTC- 280	800	880	800	800	480	303	219	521	183	111	836	40	40	280	807	707	838	898
CHMTC- 315	800	880	800	800	458	303	268	571	203	111	836	40	40	280	807	707	838	898
CHMTC- 315	800	880	800	800	458	303	268	571	203	111	836	40	40	280	807	707	838	898
CHMTC- 355	880	960	880	880	526	283	263	646	231	115	916	40	40	355	887	787	918	978
CHMTC- 400	970	1050	970	970	596	324	283	716	254	120	1006	40	40	400	977	877	1008	1068
CHMTC- 450	1070	1150	1070	1070	664	364	314	801	288	120	1106	40	40	450	1077	977	1108	1168
CHMTC- 500	1160	1240	1160	1160	711	454	299	841	319	120	1196	40	40	500	1160	1067	1198	1258

PERFORMANCE CURVES

- q_v : Airflow in m^3/h and m^3/s .
- p_{sf} : Static pressure in mmWG and Pa.
- Dry air at 20°C and 760 mmHg.
- Performance data in accordance with ISO 5801 and AMCA 210-99 Standards.



PERFORMANCE CURVES

- q_v : Airflow in m^3/h and m^3/s .
- p_{sf} : Static pressure in mmWG and Pa.
- Dry air at 20°C and 760 mmHg.
- Performance data in accordance with ISO 5801 and AMCA 210-99 Standards.

