



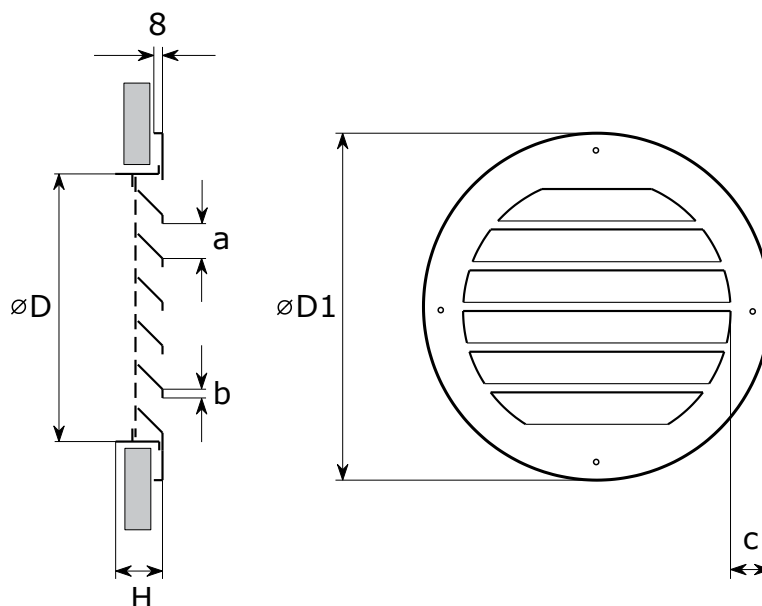
Description External protective grille is installed in building fronts on supply and exhaust round air opening.

Construction Supporting frame, horizontal fixed blades, protection net dim. 13x13mm prevents the entrance of small animals, large insects and foliage into ventilation ducts.

Material ZN - galvanized sheet metal.
AL - aluminium sheet metal.
INOX - stainless steel sheet metal.

Montage Wall installation with screws.

Option RAL colour on demand.
Insect protection net 3x3mm.



Dimensions

Dimensions	Ø D	Ø D1	H	a	b	c	A _{ef}
	mm	mm	mm	mm	mm	mm	m ²
160	152	220	40	24	11	34	0,013
200	192	260	40	27,5	11	34	0,021
250	246	315	45	33	12	34,5	0,033
300	294	350	45	32	12	28	0,048
315	311	400	45	35	12	44,5	0,053
355	352	445	45	37	13	46,5	0,068
400	395	515	45	37	13	60	0,086
450	444	545	55	44	15	50,5	0,109
500	494	595	55	44	15	50,5	0,136
560	554	665	55	44	15	55,5	0,178
630	624	770	55	44	15	73	0,215
710	704	860	55	44	16	78	0,277
800	794	960	55	47	17	83	0,353

Ordering key

RZ_O 400 ZN, IM, RAL

