



Opis Industrijske zunanje zaščitne rešetke s fiksnim naklonom lamel 45°. Razmik lamel: 100 mm. Namestitev na steno za dovod zunanjega zraka ali odvod zraka iz stavbe.

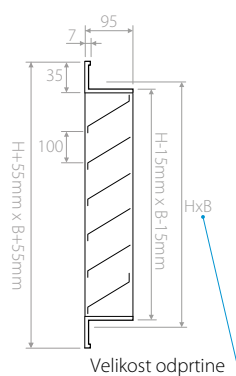
Material Standardno: pocinkana pločevina. Po naročilu: iz bakra ali nerjavečega jekla AISI 304 ali AISI 316.

Pritrditev Pritrditev z vijaki na sprednji strani okvirja.

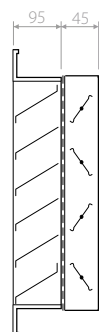
Dodatki R: Regulacijski nastavek iz pocinkane pločevine s protismernimi lamelami.
O: Montažni protiokvir iz pocinkane pločevine.
Mreža proti pticam.
Nadtlačna žaluzija.
Po naročilu izvedba spodnje lamele za odtekanje vode, TEG.

Izvedbe

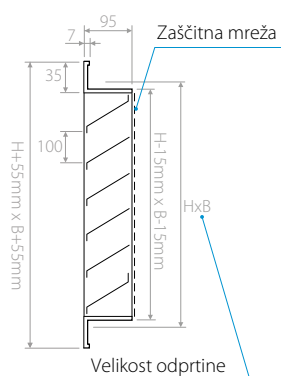
RJZ-100



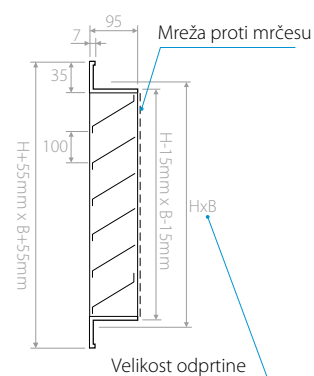
RJZ-100-R



RJZ-100-Z

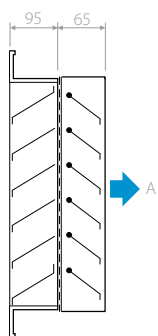


RJZ-100-ZZ

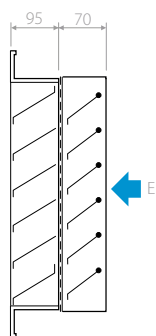


RJZ-100: pocinkana industrijska rešetka.
R: regulacijski nastavek s protismernimi lamelami.
Z: zaščitna mreža.
ZZ: rešetka proti mrčesu.

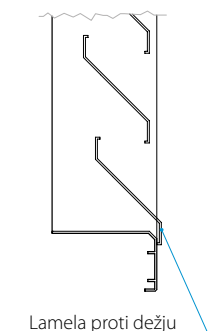
RJZ-100 SSA



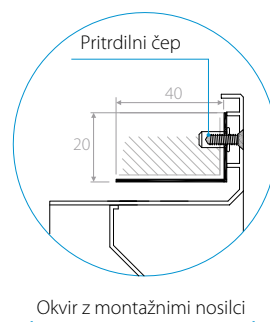
RJZ-100 SSE



RJZ-100+TEG



Izvedba protiokvirja

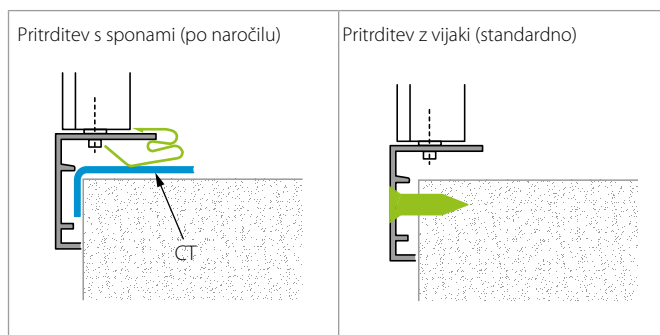


RJZ-100 SSA: izvedba s podtlačno žaluzijo.

RJZ-100 SSE: izvedba z nadtlačno žaluzijo.

RJZ-100 + TEG: izvedba s spodnjo lamelo za odtekanje vode.

Načn pritrditve



Luknje za vijake

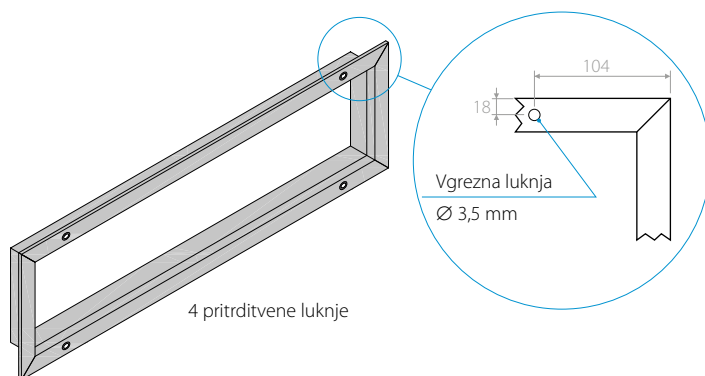
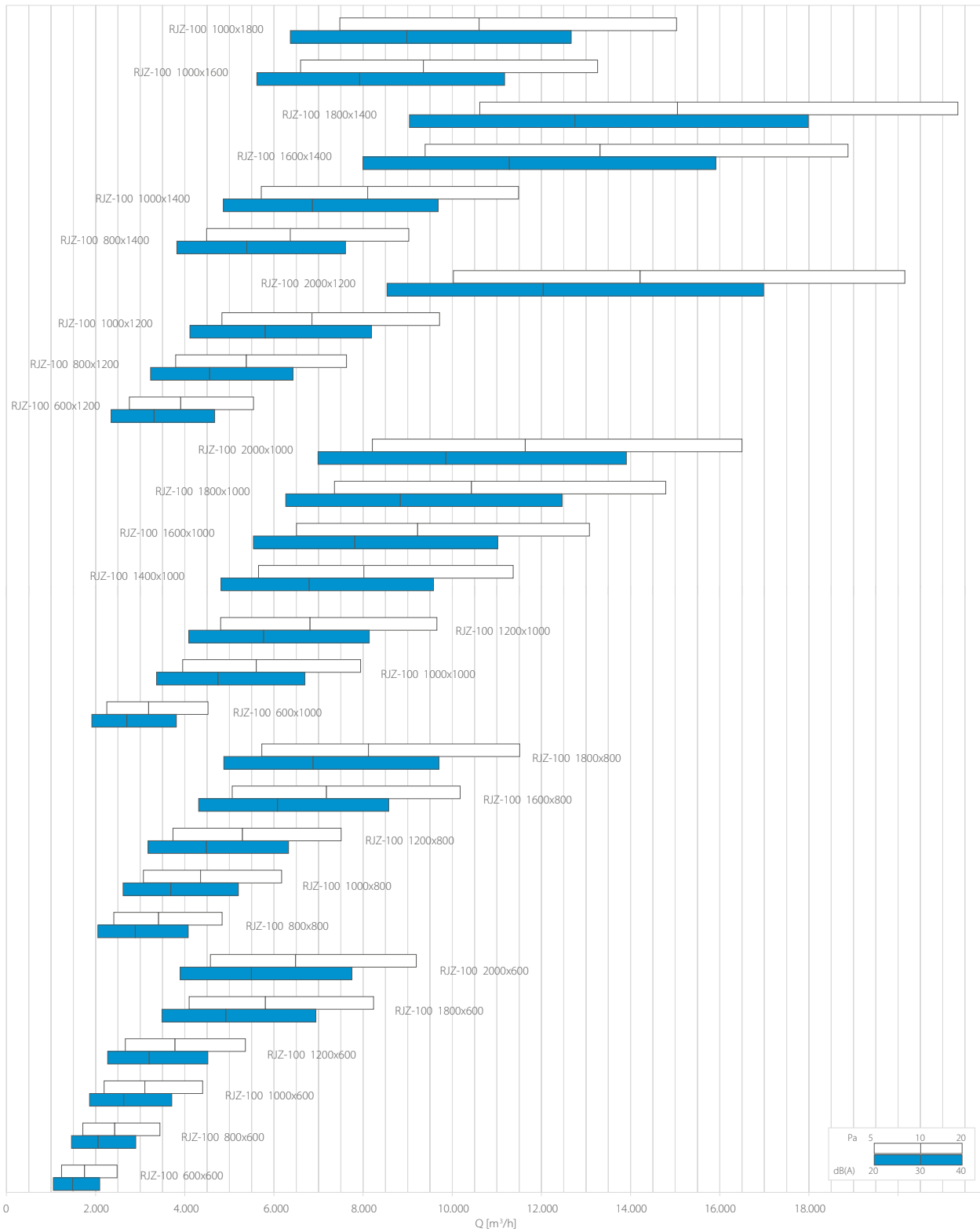


Diagram za hitro izbiro



Izbirna tabela

	A _k [m ²]	Q [m ³ /h]		L _{WA} [dB(A)]		Dp _t [Pa]	
		min	max	min	max	min	max
RJZ-100 600x600	0,1980	1240	2480	25	45	5	20
RJZ-100 800x600	0,2744	1710	3440	25	45	5	20
RJZ-100 1000x600	0,3509	2190	4400	25	45	5	20
RJZ-100 1200x600	0,4273	2670	5360	25	45	5	20
RJZ-100 1400x600	0,5037	3140	6320	25	45	5	20
RJZ-100 1600x600	0,5801	3620	7280	25	45	5	20
RJZ-100 1800x600	0,6565	4100	8240	25	45	5	20
RJZ-100 2000x600	0,7330	4570	9200	25	45	5	20
RJZ-100 600x800	0,2793	1740	3500	25	45	5	20
RJZ-100 800x800	0,3857	2410	4840	25	45	5	20
RJZ-100 1000x800	0,4921	3070	6170	25	45	5	20
RJZ-100 1200x800	0,5985	3740	7510	25	45	5	20
RJZ-100 1400x800	0,7049	4400	8840	25	45	5	20
RJZ-100 1600x800	0,8113	5060	10180	25	45	5	20
RJZ-100 1800x800	0,9177	5730	11510	25	45	5	20
RJZ-100 2000x800	1,0241	6390	12850	25	45	5	20
RJZ-100 600x1000	0,3605	2250	4520	25	45	5	20
RJZ-100 800x1000	0,4969	3100	6230	25	45	5	20
RJZ-100 1000x1000	0,6333	3950	7950	25	45	5	20
RJZ-100 1200x1000	0,7697	4800	9660	25	45	5	20
RJZ-100 1400x1000	0,9061	5660	11370	25	45	5	20
RJZ-100 1600x1000	1,0424	6510	13080	25	45	5	20
RJZ-100 1800x1000	1,1788	7360	14790	25	45	5	20
RJZ-100 2000x1000	1,3152	8210	16500	25	45	5	20
RJZ-100 600x1200	0,4418	2760	5540	25	45	5	20
RJZ-100 800x1200	0,6082	3800	7630	25	45	5	20
RJZ-100 1000x1200	0,7745	4830	9720	25	45	5	20
RJZ-100 1200x1200	0,9409	5870	11810	25	45	5	20
RJZ-100 1400x1200	1,1072	6910	13890	25	45	5	20
RJZ-100 1600x1200	1,2736	7950	15980	25	45	5	20
RJZ-100 1800x1200	1,4400	8990	18070	25	45	5	20
RJZ-100 2000x1200	1,6063	10030	20150	25	45	5	20
RJZ-100 600x1400	0,5231	3260	6560	25	45	5	20
RJZ-100 800x1400	0,7194	4490	9030	25	45	5	20
RJZ-100 1000x1400	0,9157	5720	11490	25	45	5	20
RJZ-100 1200x1400	1,1121	6940	13950	25	45	5	20
RJZ-100 1400x1400	1,3084	8170	16420	25	45	5	20
RJZ-100 1600x1400	1,5048	9390	18880	25	45	5	20
RJZ-100 1800x1400	1,7011	10620	21340	25	45	5	20
RJZ-100 2000x1400	1,8974	11840	23810	25	45	5	20
RJZ-100 600x1600	0,6043	3770	7580	25	45	5	20
RJZ-100 800x1600	0,8306	5180	10420	25	45	5	20
RJZ-100 1000x1600	1,0570	6600	13260	25	45	5	20
RJZ-100 1200x1600	1,2833	8010	16100	25	45	5	20
RJZ-100 1400x1600	1,5096	9420	18940	25	45	5	20
RJZ-100 1600x1600	1,7359	10830	21780	25	45	5	20
RJZ-100 1800x1600	1,9622	12250	24620	25	45	5	20
RJZ-100 2000x1600	2,1886	13660	27460	25	45	5	20
RJZ-100 600x1800	0,6856	4280	8600	25	45	5	20
RJZ-100 800x1800	0,9419	5880	11820	25	45	5	20
RJZ-100 1000x1800	1,1982	7480	15030	25	45	5	20
RJZ-100 1200x1800	1,4545	9080	18250	25	45	5	20
RJZ-100 1400x1800	1,7108	10680	21460	25	45	5	20
RJZ-100 1600x1800	1,9671	12280	24680	25	45	5	20
RJZ-100 1800x1800	2,2234	13880	27900	25	45	5	20
RJZ-100 2000x1800	2,4797	15480	31110	25	45	5	20
RJZ-100 2000x2000	2,7708	17290	34760	25	45	5	20