

### Characteristics

Supply grilles with adjustable blades 20 mm pitch.

### Construction

Galvanized steel, or painted in RAL 9010, RAL 9016, RAL 7035. Models made of stainless steel AISI 304, 2B or BA finish, are available on demand.

### Utilization

For wall installation and for air delivery. Installation height: 2,5 – 3,5 m

### Fixing

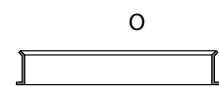
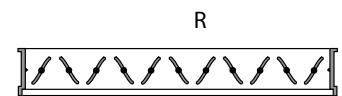
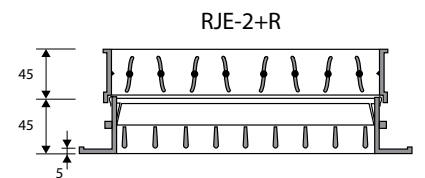
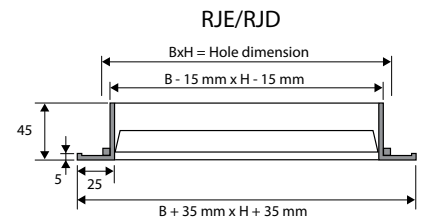
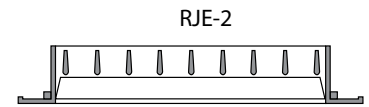
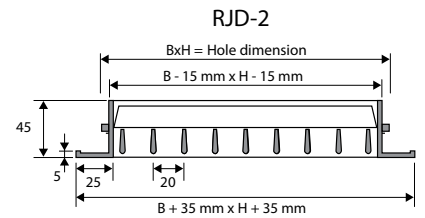
Holes for screws.  
With clips or locks or magnets.

### Models

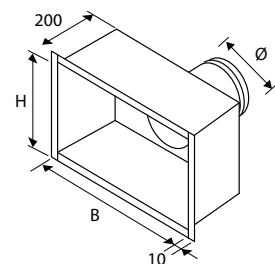
RJD: Grille with single row of vertical bars  
RJE: Grille with single row of horizontal bars  
RJD-2: Grille with double row of bars (frontal vertical, back horizontal)  
RJE-2: Grille with double row of bars (frontal horizontal, back vertical)

### Accessories

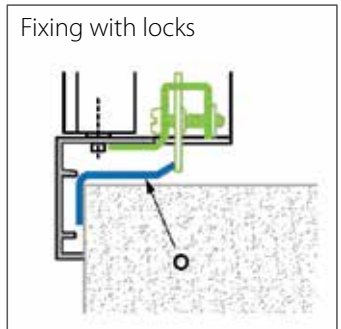
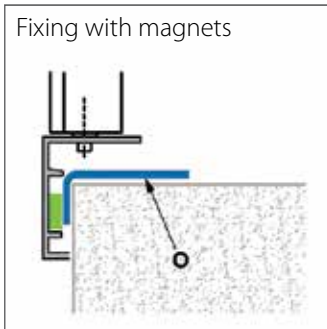
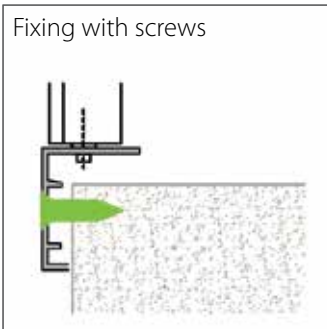
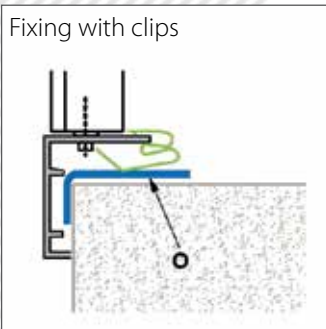
R: Calibration damper made of galvanized steel and fins with opposite movement.  
O: Mounting counterframes made of galvanized steel sheet.  
KK-H: Connecting steel plenum.



Plenum KK-H



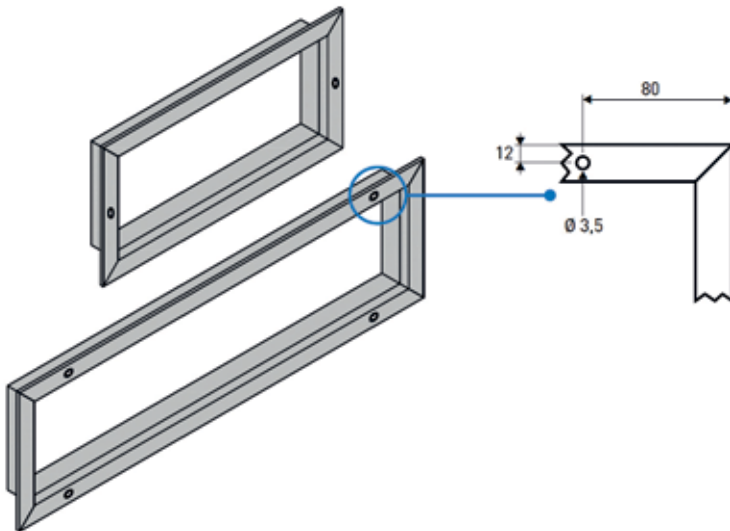
### Type of fixing



Each grille 8 magnets

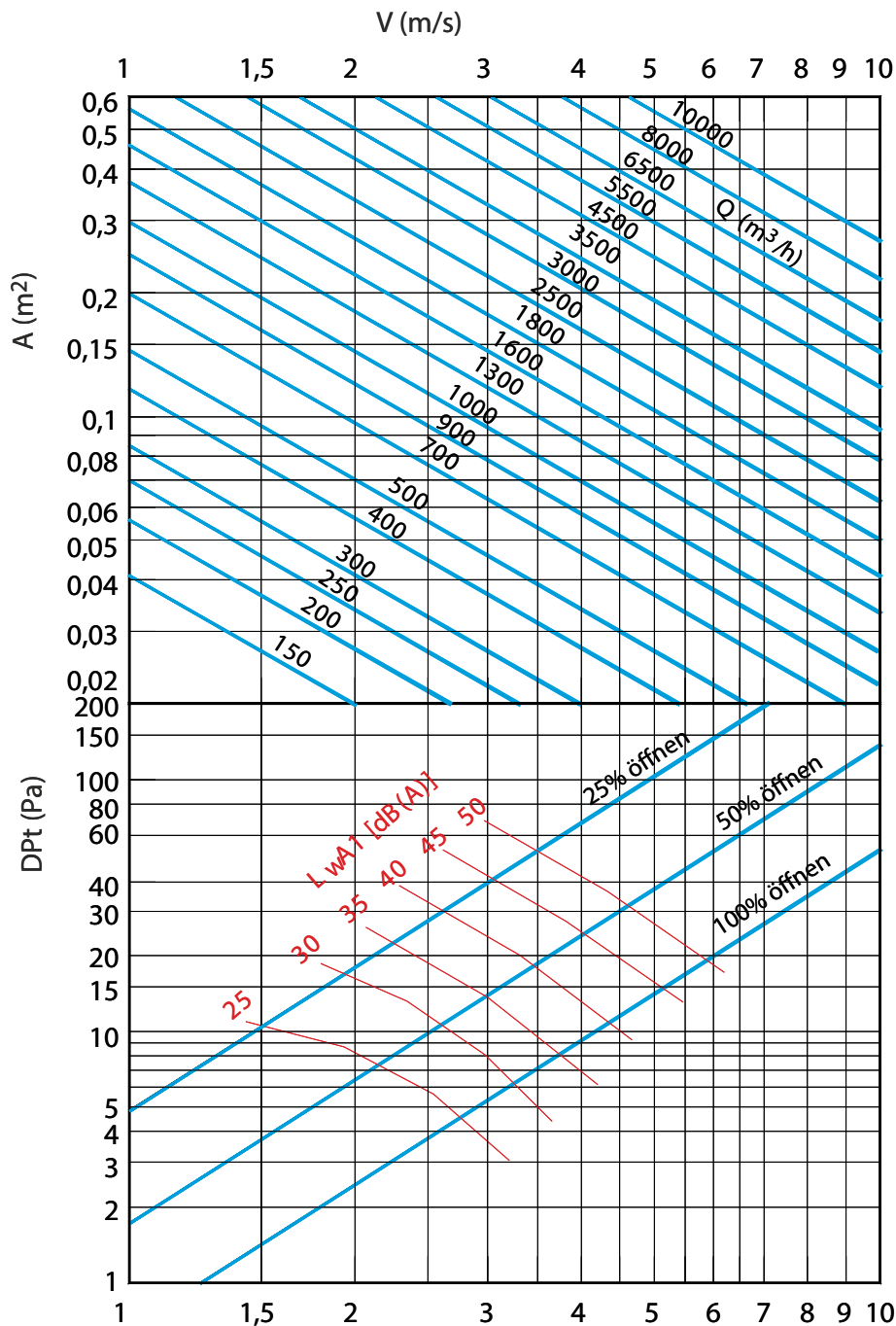
From 200 x 100 to 1000 x 300: 2 locks  
From 400 x 400 to 1000 x 500: 4 locks

## Holes



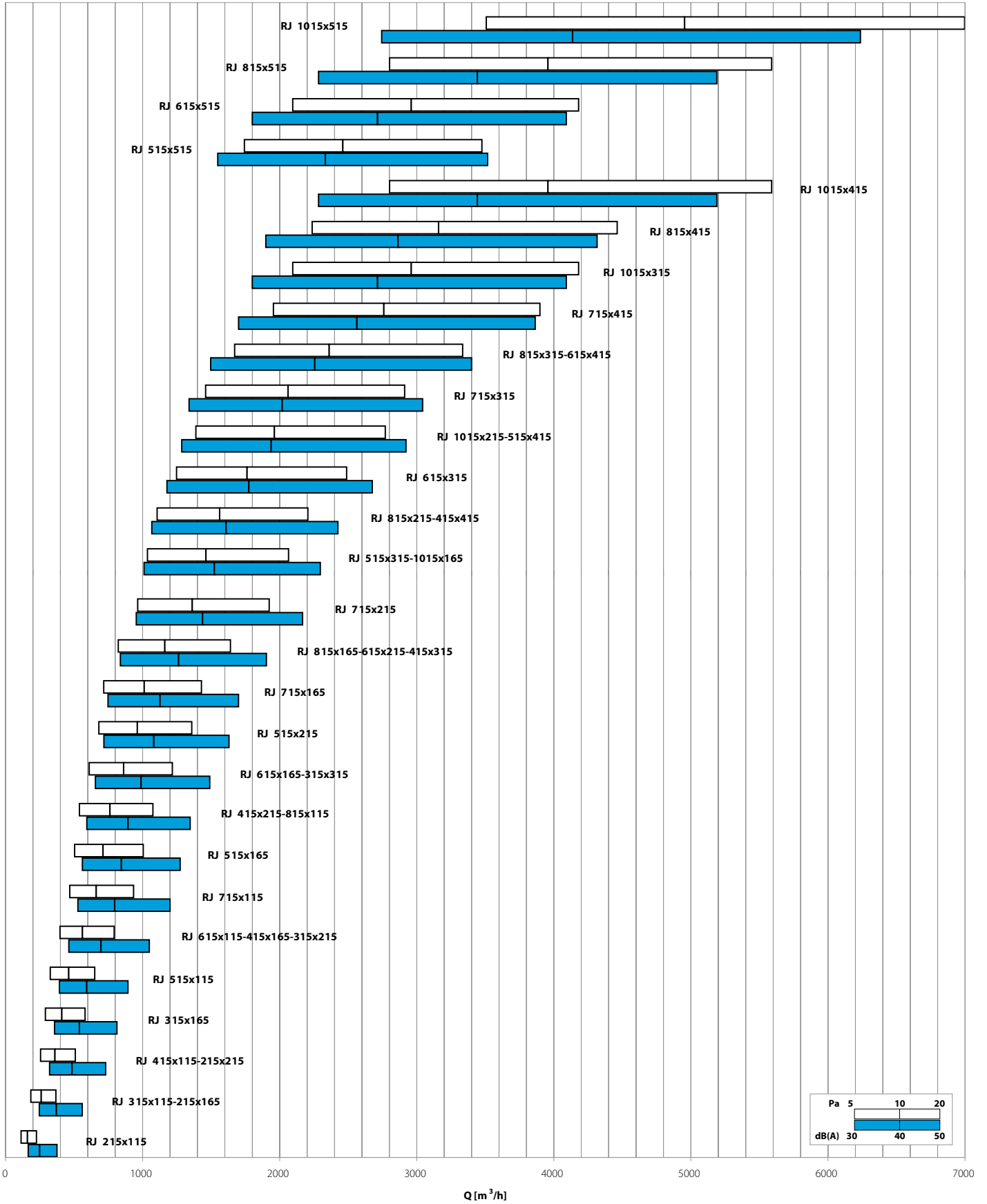
Amount of holes for mounting screw					
Smaller side	Longer side				
	200	250	300	350	≥400
100	2	2	2	4	4
150	2	2	2	4	4
200	2	2	2	4	4
≥250	2	2	2	4	4

## Air velocity, pressure difference, sound power



SYMBOL	DESCRIPTION
Q	Volume flow (m <sup>3</sup> /s, m <sup>3</sup> /h)
L <sub>WA</sub>	Sound power level
DP	Preassure difference (Pa)
V <sub>k</sub>	Air velocity (m/s)
L <sub>t</sub>	Jer throw (m)

## Quick Selection Diagram



## Selection table

Model	A <sub>k</sub> [m <sup>2</sup> ]	Q [m <sup>3</sup> /h]		L <sub>WA</sub> [dB(A)]		X <sub>(0,25)</sub> [m]		D <sub>pt</sub> [Pa]	
		min	max	min	max	min	max	min	max
RJ 215x115	0,0088	110	230	20	38	2,5	5,3	5	20
RJ 315x115-215x165	0,0144	180	370	22	40	3,3	6,7	5	20
RJ 415x115-215x215	0,0200	260	510	25	41	4,0	7,9	5	20
RJ 315x165	0,0228	290	580	25	42	4,2	8,4	5	20
RJ 515x115	0,0256	330	650	26	42	4,5	8,4	5	20
RJ 615x115-415x165-315x215	0,0311	400	790	26	43	4,9	9,7	5	20
RJ 715x115	0,0367	470	930	27	44	5,3	10,6	5	20
RJ 515x165	0,0395	500	1010	27	44	5,5	11,1	5	20
RJ 415x215-815x115	0,0423	540	1080	28	45	5,7	11,4	5	20
RJ 615x165-315x315	0,0479	610	1220	28	45	6,1	12,1	5	20
RJ 515x215	0,0534	680	1360	29	46	6,4	12,8	5	20
RJ 715x165	0,0562	720	1430	29	46	6,6	13,1	5	20
RJ 815x165-615x215-415x315	0,0646	820	1640	29	46	7,0	14,0	5	20
RJ 715x215	0,0757	960	1920	30	47	7,6	15,2	5	20
RJ 515x315-1015x165	0,0813	1040	2070	31	47	7,9	15,8	5	20
RJ 815x215-415x415	0,0869	1110	2210	31	48	8,2	16,3	5	20
RJ 615x315	0,0980	1250	2490	31	48	8,7	17,3	5	20
RJ 1015x215-515x415	0,1092	1390	2770	32	49	9,2	18,3	5	20
RJ 715x315	0,1147	1460	2910	32	49	9,4	18,7	5	20
RJ 815x315-615x415	0,1315	1670	3340	33	50	10,0	20,1	5	20
RJ 715x415	0,1537	1950	3900	33	50	10,8	21,7	5	20
RJ 1015x315	0,1649	2100	4180	34	51	11,3	22,4	5	20
RJ 815x415	0,1760	2240	4460	34	51	11,6	23,1	5	20
RJ 1015x415	0,2206	2800	5590	35	52	13,0	25,9	5	20
RJ 515x515	0,1370	1740	3480	33	50	10,2	20,5	5	20
RJ 615x515	0,1649	2100	4180	34	51	11,3	22,4	5	20
RJ 815x515	0,2206	2800	5590	35	52	13,0	25,9	5	20
RJ 1015x515	0,2764	3510	7000	36	53	14,5	29,0	5	20

## Ordering key

**RJE - 2R - / 415 x 115 / O**

