

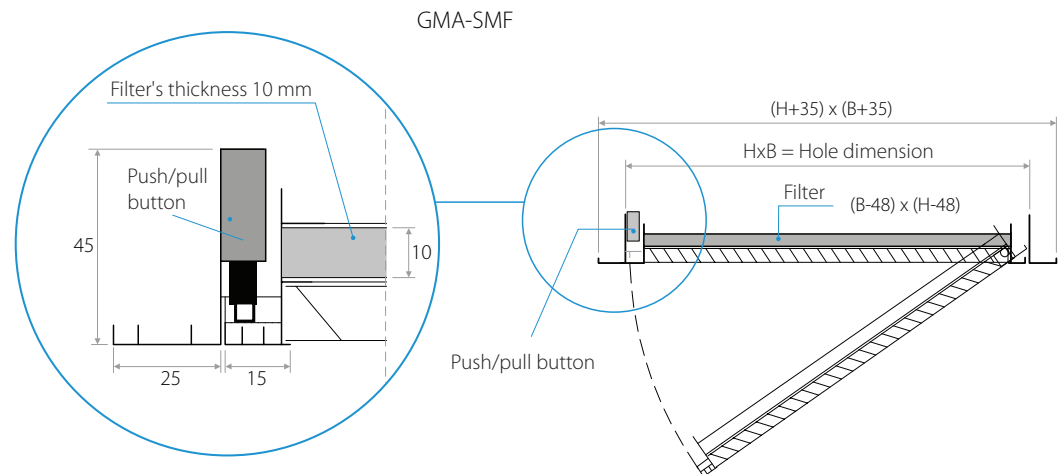
Opis Egg crate grille. Removable core for filter insertion and replacement.
For wall/ceiling installation and for air intake.

Material Anodized aluminium


Fixing By clips (frontal screws on request).

Opening and closing By push/pull system.

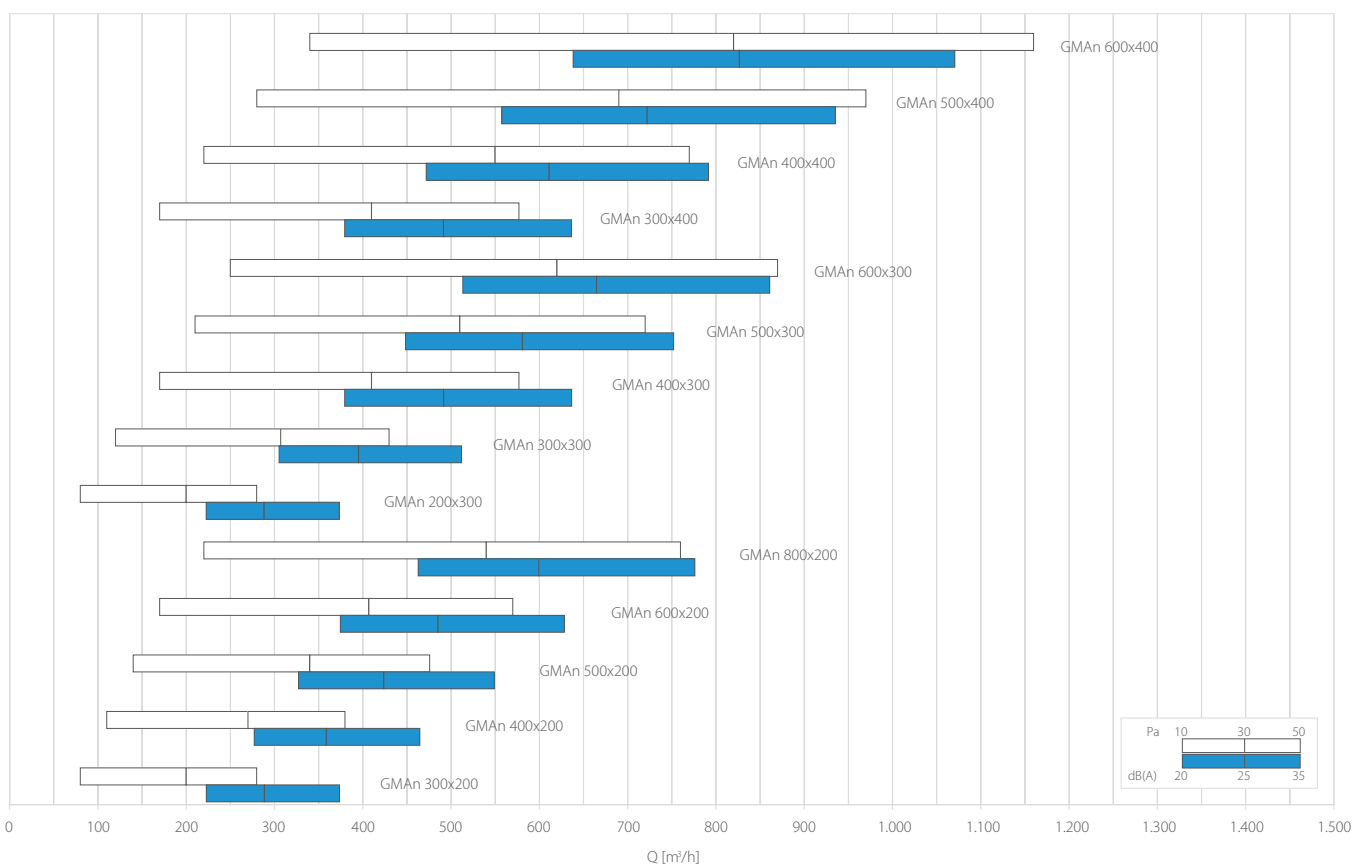
Opening and closing



Dimensions

|  | B [mm] | | | | | | |
|---|---------|---------|---------|---------|---------|---------|---------|
| | 200 | 300 | 400 | 500 | 600 | 800 | 1000 |
| H [mm] | | | | | | | |
| 200 | 152x152 | 252x152 | 352x152 | 452x152 | 552x152 | 752x152 | 952x152 |
| 300 | 152x252 | 252x252 | 352x252 | 452x252 | 552x252 | 752x252 | 952x252 |
| 400 | 152x352 | 252x352 | 352x352 | 452x352 | 552x352 | 752x352 | 952x352 |
| 500 | 152x452 | 252x452 | 352x452 | 452x452 | 552x452 | 752x452 | 952x452 |
| 600 | 152x552 | 252x552 | 352x552 | 452x552 | 552x552 | 752x552 | 952x552 |

Quick selection diagram



Selection table

| Model | A_k [m ²] | Q [m ³ /h] | | L_{WA} [dB(A)] | | D _R [Pa] | |
|----------------|-------------------------|-----------------------|------|------------------|-----|---------------------|-----|
| | | min | max | min | max | min | max |
| GMA n° 200x200 | 0,0227 | 50 | 190 | - | 23 | 10 | 50 |
| GMA n° 300x200 | 0,0353 | 80 | 280 | - | 24 | 10 | 50 |
| GMA n° 400x200 | 0,0478 | 110 | 380 | - | 26 | 10 | 50 |
| GMA n° 500x200 | 0,0604 | 140 | 480 | - | 27 | 10 | 50 |
| GMA n° 600x200 | 0,0730 | 170 | 570 | - | 28 | 10 | 50 |
| GMA n° 800x200 | 0,0982 | 220 | 760 | - | 30 | 10 | 50 |
| GMA n° 200x300 | 0,0352 | 80 | 280 | - | 24 | 10 | 50 |
| GMA n° 300x300 | 0,0548 | 120 | 430 | - | 27 | 10 | 50 |
| GMA n° 400x300 | 0,0744 | 170 | 580 | - | 28 | 10 | 50 |
| GMA n° 500x300 | 0,0940 | 210 | 720 | - | 29 | 10 | 50 |
| GMA n° 600x300 | 0,1136 | 250 | 870 | - | 30 | 10 | 50 |
| GMA n° 800x300 | 0,1528 | 330 | 1160 | - | 32 | 10 | 50 |
| GMA n° 200x400 | 0,0478 | 110 | 380 | - | 26 | 10 | 50 |
| GMA n° 300x400 | 0,0744 | 170 | 580 | - | 28 | 10 | 50 |
| GMA n° 400x400 | 0,1010 | 220 | 770 | - | 29 | 10 | 50 |
| GMA n° 500x400 | 0,1276 | 280 | 970 | - | 31 | 10 | 50 |
| GMA n° 600x400 | 0,1542 | 340 | 1160 | - | 32 | 10 | 50 |
| GMA n° 800x400 | 0,2073 | 460 | 1560 | - | 33 | 10 | 50 |
| GMA n° 200x500 | 0,0603 | 140 | 480 | - | 27 | 10 | 50 |
| GMA n° 300x500 | 0,0939 | 210 | 720 | - | 29 | 10 | 50 |
| GMA n° 400x500 | 0,1275 | 280 | 960 | - | 31 | 10 | 50 |
| GMA n° 500x500 | 0,1611 | 350 | 1210 | - | 32 | 10 | 50 |
| GMA n° 600x500 | 0,1947 | 420 | 1460 | - | 33 | 10 | 50 |
| GMA n° 800x500 | 0,2619 | 560 | 1960 | - | 34 | 10 | 50 |
| GMA n° 200x600 | 0,0729 | 160 | 570 | - | 28 | 10 | 50 |
| GMA n° 300x600 | 0,1135 | 250 | 870 | - | 30 | 10 | 50 |
| GMA n° 400x600 | 0,1541 | 340 | 1160 | - | 32 | 10 | 50 |
| GMA n° 500x600 | 0,1947 | 430 | 1460 | - | 33 | 10 | 50 |
| GMA n° 600x600 | 0,2353 | 510 | 1760 | - | 34 | 10 | 50 |
| GMA n° 800x600 | 0,3165 | 690 | 2350 | - | 35 | 10 | 50 |
| GMA n° 200x800 | 0,0980 | 220 | 760 | - | 30 | 10 | 50 |
| GMA n° 300x800 | 0,1526 | 330 | 1160 | - | 32 | 10 | 50 |
| GMA n° 400x800 | 0,2072 | 440 | 1560 | - | 33 | 10 | 50 |
| GMA n° 500x800 | 0,2618 | 560 | 1960 | - | 34 | 10 | 50 |
| GMA n° 600x800 | 0,3164 | 680 | 2350 | - | 35 | 10 | 50 |
| GMA n° 800x800 | 0,4256 | 910 | 3150 | - | 37 | 10 | 50 |

