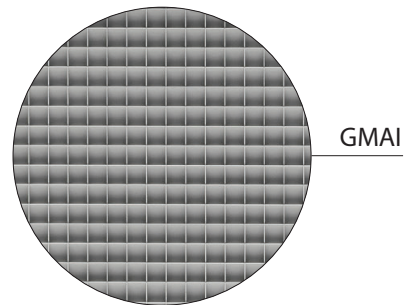
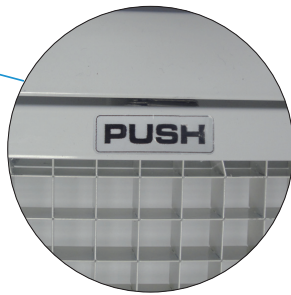
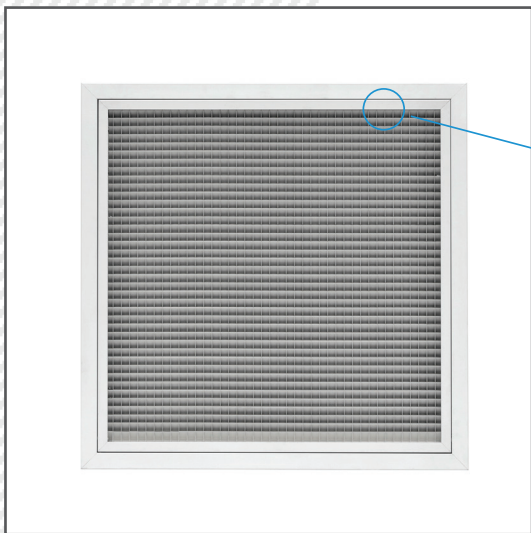


GMAI 60-SMF



Characteristics

Egg crate grilles with removable core. For false ceilings and for air intake. Pitch: 13x13 mm, inclined of 45°. Overall: 595x595 mm.

Material

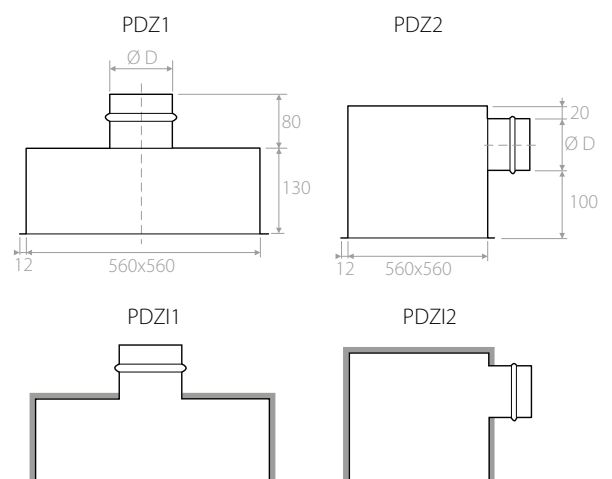
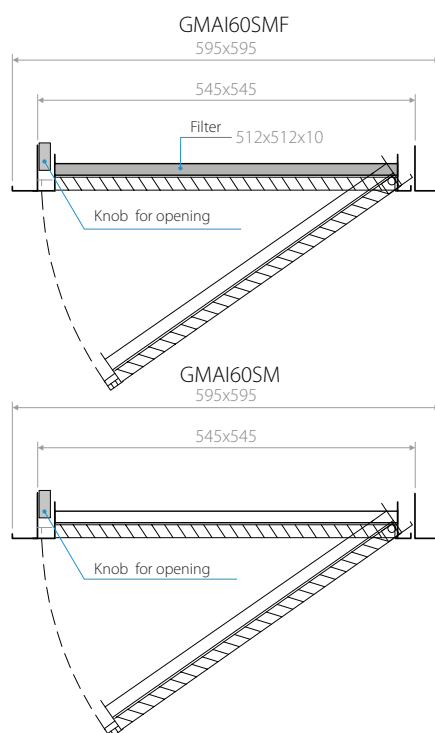
Anodized aluminum.

Fixing

Fixing by using clips or frontal screws on demand.

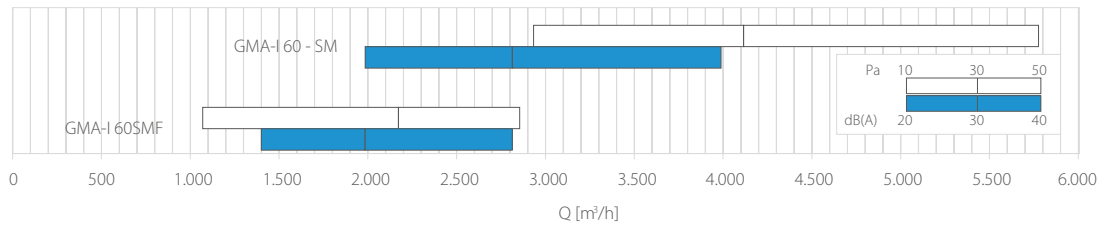
Accessories

Galvanized steel plenum, standard or insulated.
Calibration damper made of galvanized steel and fins with opposite movement.



Plenum externally insulated thickness 6 mm.

Quick selection diagram



Selection table

Model	A_x [m²]	Q [m³/h]		L_{WA} [dB(A)]		Dp_t [Pa]	
		min	max	min	max	min	max
GMAI60SM	0,2375	2640	5210	41	60	5	20
GMAI60SMF	0,2375	1070	2860	-	43	10	50

Opening the grille and changing the filter

