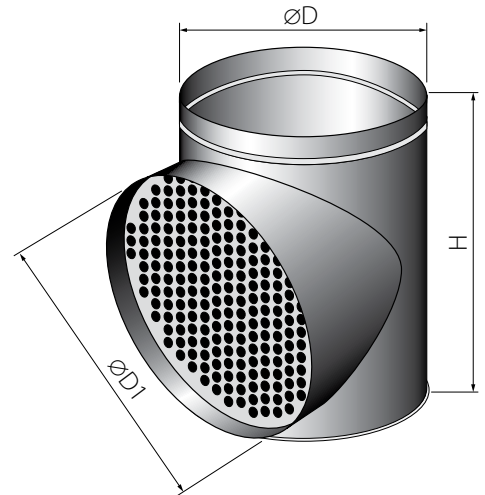




KO-H-M



- Description** Round steel plenum for diffuser DVE-3, standard (KO-H-M) with calibration damper.
- Material** Galvanized sheet metal.
- Utilization** For ceiling installation and for air intake and delivery.
- Fixing** By using screws on the hangers.

Dimensions

| Description | ØD [mm] | ØD1 [mm] | H [mm] |
|---------------------------|---------|----------|--------|
| Plenum box KO-H-M/200/200 | 202 | 198 | 300 |
| Plenum box KO-H-M/250/250 | 252 | 248 | 350 |
| Plenum box KO-H-M/315/315 | 317 | 313 | 400 |
| Plenum box KO-H-M/400/400 | 403 | 398 | 500 |
| Plenum box KO-H-M/500/500 | 503 | 498 | 600 |
| Plenum box KO-H-M/630/600 | 633 | 598 | 700 |
| Plenum box KO-H-M/800/600 | 803 | 598 | 700 |

Ordering key

KO - H - M / 250 / 250

