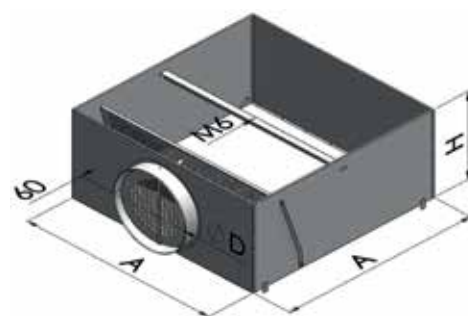
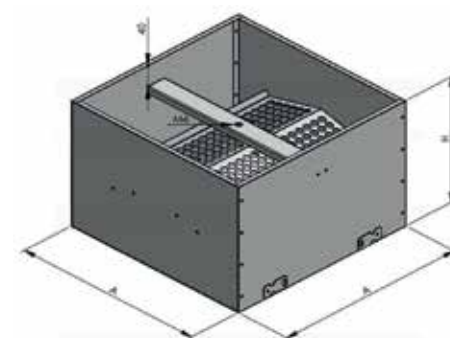
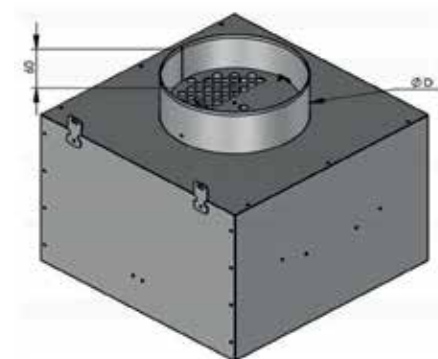




KK-H-PP-M



KK-V-PP-M



Description

Square steel plenum for diffusers DVD, DVO, DVDS, DVOS and DVS, standard (KK-H-PP-M, KK-V-PP-M) or insulated (KK-H-PP-M-I, KKV-PP-M-I), with calibration damper and mounting bridge and with or without equalizer sheet (KK-H-M, KK-V-M).

Material

Galvanized sheet metal.

Utilization

For ceiling installation and for air intake and delivery.

Fixing

By using screws on the hangers.

Dimensions

Description	A [mm]	ØD [mm]	H [mm]
Plenum box KK-H-PP-M 300/125	290	123	175
Plenum box KK-H-PP-M 300/160	290	158	210
Plenum box KK-H-PP-M 310/125	300	123	175
Plenum box KK-H-PP-M 310/160	300	158	210
Plenum box KK-H-PP-M 400/160	390	158	210
Plenum box KK-H-PP-M 400/200	390	198	250
Plenum box KK-H-PP-M 500/200	490	198	250
Plenum box KK-H-PP-M 500/250	490	248	300
Plenum box KK-H-PP-M 600/200	590	198	250
Plenum box KK-H-PP-M 600/250	590	248	300
Plenum box KK-H-PP-M 625/250	615	248	300
Plenum box KK-H-PP-M 800/315	790	313	365
Plenum box KK-H-PP-M 825/315	815	313	365

*insulation thicknes from 6 mm to 19 mm

Description	A [mm]	ØD [mm]	H [mm]
Plenum box KK-V-PP-M 300/125	290	123	175
Plenum box KK-V-PP-M 300/160	290	158	210
Plenum box KK-V-PP-M 310/125	300	123	175
Plenum box KK-V-PP-M 310/160	300	158	210
Plenum box KK-V-PP-M 400/160	390	158	210
Plenum box KK-V-PP-M 400/200	390	198	250
Plenum box KK-V-PP-M 500/200	490	198	250
Plenum box KK-V-PP-M 500/250	490	248	300
Plenum box KK-V-PP-M 600/200	590	198	250
Plenum box KK-V-PP-M 600/250	590	248	300
Plenum box KK-V-PP-M 625/250	615	248	300
Plenum box KK-V-PP-M 800/315	790	313	365
Plenum box KK-V-PP-M 825/315	815	313	365

*insulation thicknes from 6 mm to 19 mm