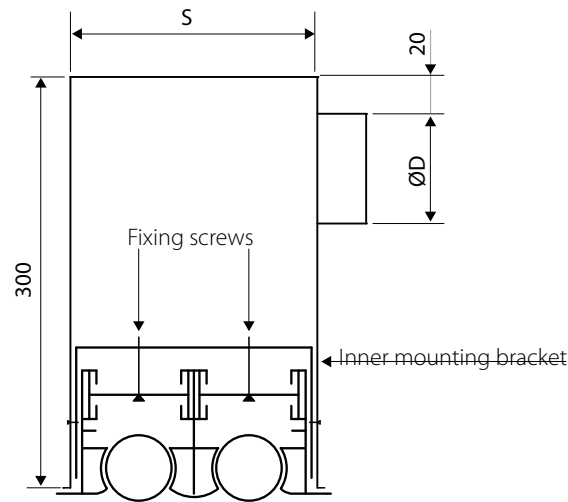
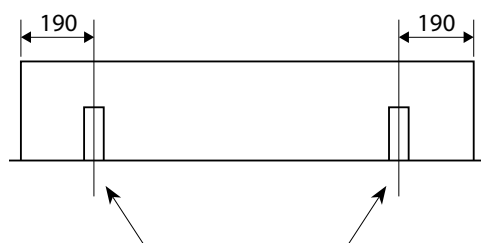


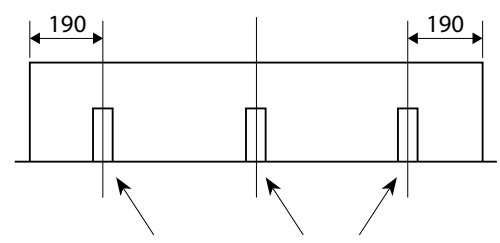
- Characteristics** Steel plenum for slot diffusers DL 35 an DL 50, standard (KK-H-M) or insulated (KK-H-M-I).
- Construction** Galvanized steel
- Utilization** For ceiling installation and for air intake and delivery.
- Fixing** By using screws on the hangers.



Fixing the plenum by inner mounting brackets



Side view position length to 1500 mm



Side view position length from 1500 mm

## Dimensions for DL 35

No of slots	Description	S [mm]	L [mm]	No of spigots	Ø D [mm]
1	Plenum box kk-h-m/500	43	515	1	98
1	Plenum box kk-h-m/800	43	815	1	98
1	Plenum box kk-h-m/1000	43	1015	1	98
1	Plenum box kk-h-m/1500	43	1515	2	98
1	Plenum box kk-h-m/2000	43	2015	2	98
2	Plenum box kk-h-m/500	81	515	1	148
2	Plenum box kk-h-m/800	81	815	1	148
2	Plenum box kk-h-m/1000	81	1015	1	148
2	Plenum box kk-h-m/1500	81	1515	2	148
2	Plenum box kk-h-m/2000	81	2015	2	148
3	Plenum box kk-h-m/500	119	515	1	198
3	Plenum box kk-h-m/800	119	815	1	198
3	Plenum box kk-h-m/1000	119	1015	1	198
3	Plenum box kk-h-m/1500	119	1515	2	198
3	Plenum box kk-h-m/2000	119	2015	2	198
4	Plenum box kk-h-m/500	157	515	1	198
4	Plenum box kk-h-m/800	157	815	1	198
4	Plenum box kk-h-m/1000	157	1015	1	198
4	Plenum box kk-h-m/1500	157	1515	2	198
4	Plenum box kk-h-m/2000	157	2015	2	198

## Dimensions for DL 50

No of slots	Description	S [mm]	L [mm]	No of spigots	Ø D [mm]
1	Plenum box kk-h-m/500	56	515	1	98
1	Plenum box kk-h-m/800	56	815	1	98
1	Plenum box kk-h-m/1000	56	1015	1	98
1	Plenum box kk-h-m/1500	56	1515	2	98
1	Plenum box kk-h-m/2000	56	2015	3	98
2	Plenum box kk-h-m/500	107	515	1	148
2	Plenum box kk-h-m/800	107	815	1	148
2	Plenum box kk-h-m/1000	107	1015	2	148
2	Plenum box kk-h-m/1500	107	1515	3	148
2	Plenum box kk-h-m/2000	107	2015	4	148
3	Plenum box kk-h-m/500	158	515	1	198
3	Plenum box kk-h-m/800	158	815	1	198
3	Plenum box kk-h-m/1000	158	1015	2	198
3	Plenum box kk-h-m/1500	158	1515	3	198
3	Plenum box kk-h-m/2000	158	2015	4	198
4	Plenum box kk-h-m/500	209	515	1	198
4	Plenum box kk-h-m/800	209	815	2	198
4	Plenum box kk-h-m/1000	209	1015	2	198
4	Plenum box kk-h-m/1500	209	1515	3	198
4	Plenum box kk-h-m/2000	209	2015	4	198