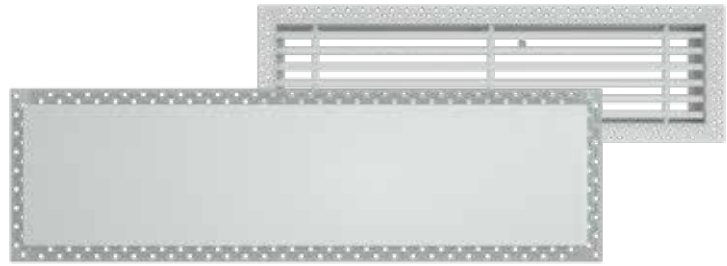




Scheda tecnica
Data sheet



Listino
Price list



FUTURE



Caratteristiche: griglie a barre fisse con telaio a scomparsa e zona centrale estraibile.

Costruzione: alluminio anodizzato.

- FUTURE-10 griglia a barre fisse con deflessione 0°
- FUTURE-15 griglia a barre fisse con deflessione 15°
- FUTURE-T griglia con schermo frontale pieno. Telaio e schermo in alluminio. Verniciatura RAL 9016 opaco.

Impiego: mandata e ripresa aria.

Fissaggio: installazione su supporto del telaio a mezzo di viti. Finitura con copertura del telaio e successivo montaggio della zona centrale.

Accessori: plenum in lamiera zincata con verniciatura RAL 9005 con e senza isolamento termico. Filtro in materassino di poliuretano spessore 10 mm efficienza G2.

Characteristics: fixed bar grille with retractable frame and removable central core.

Construction: anodized aluminum.

- FUTURE-10 fixed bar grille with 0° deflection
- FUTURE-15 fixed bar grille with 15° deflection
- FUTURE-T grille with front full screen. Frame and screen in aluminium RAL 9016 matt painted.

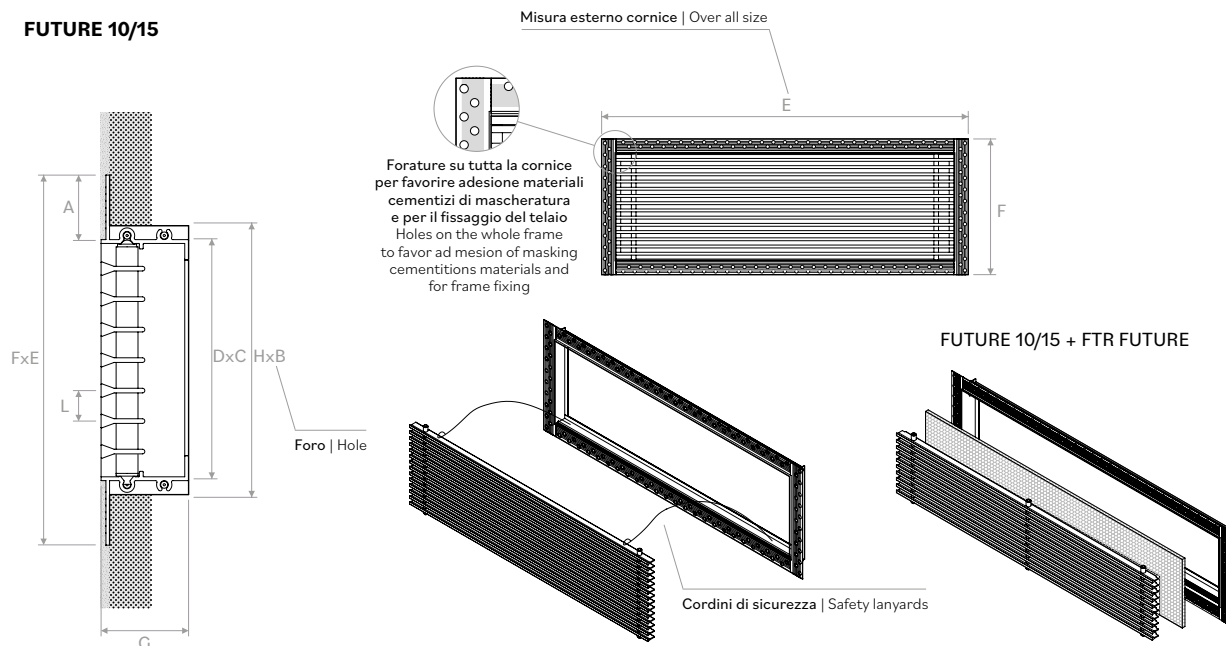
Utilization: supply and return air.

Fixing: installation on support of frame by means of screws. Finish with frame cover and subsequent assembly of the central core.

Accessories: plenum box in galvanized steel RAL 9005 painted with or without thermal insulation. 10 mm thick polyuretane mattress filter, G2 efficiency.

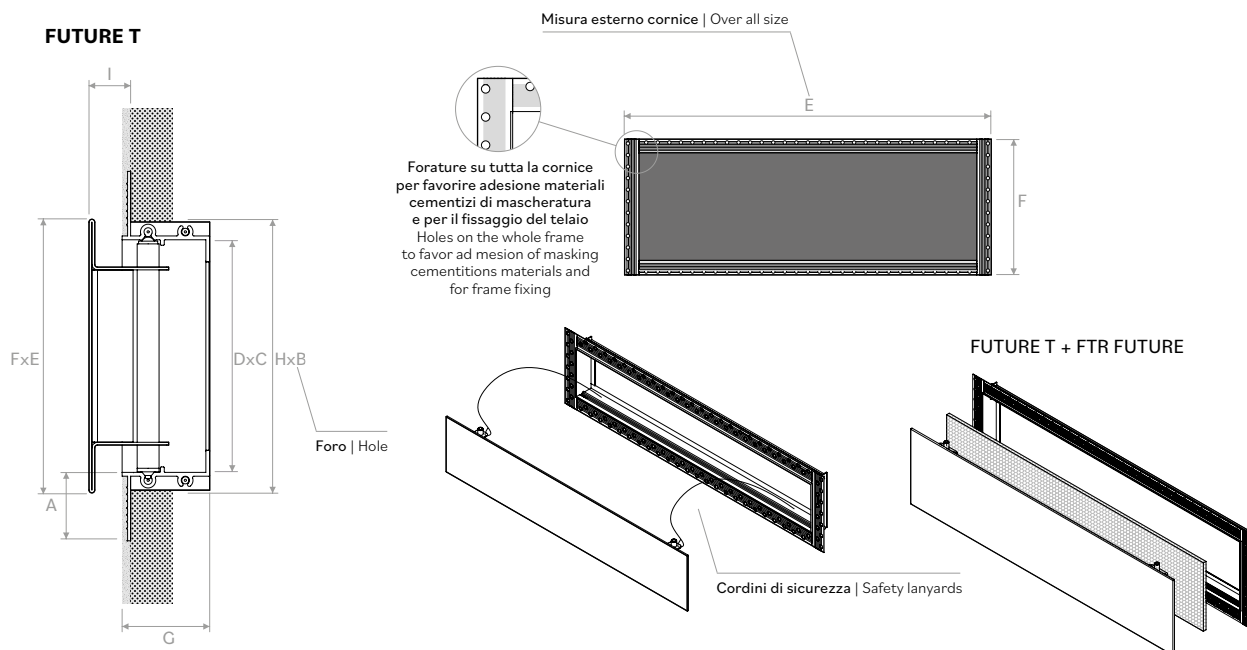


FUTURE 10/15



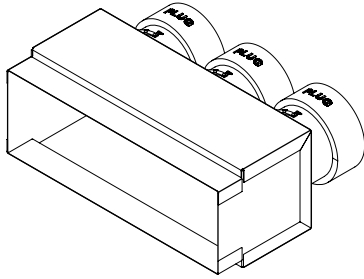
Modello Model		A	B	C	D	E	F	G	H	L
FUTURE 10/15 200x100	mm	25	200	185	85	235	135	32	100	12,5
FUTURE 10/15 300x100	mm	25	300	285	85	335	135	32	100	12,5
FUTURE 10/15 400x100	mm	25	400	385	85	435	135	32	100	12,5
FUTURE 10/15 500x100	mm	25	500	485	85	535	135	32	100	12,5

FUTURE T

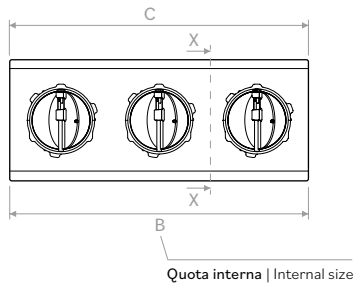
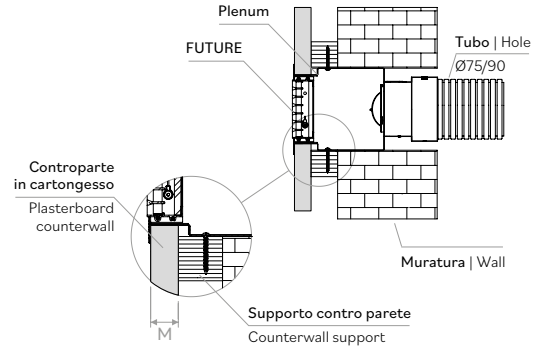


Modello Model		A	B	C	D	E	F	G	I	H
FUTURE T 200x100	mm	25	200	185	85	235	135	32	12	100
FUTURE T 300x100	mm	25	300	285	85	335	135	32	12	100
FUTURE T 400x100	mm	25	400	385	85	435	135	32	12	100
FUTURE T 500x100	mm	25	500	485	85	535	135	32	12	100

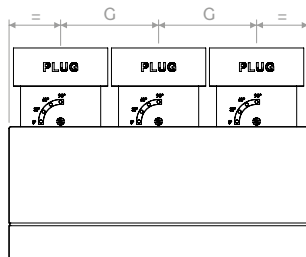
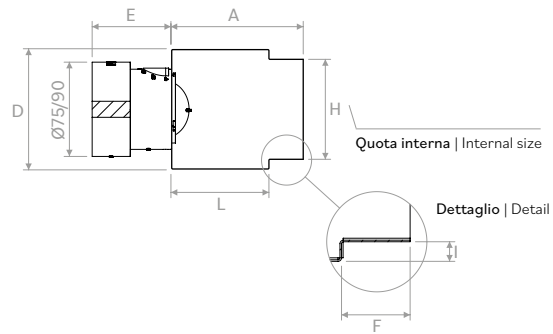
PLUGPBF1



Esempio di installazione | Installation example



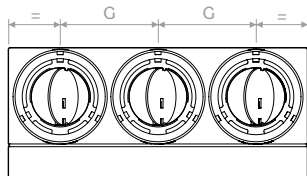
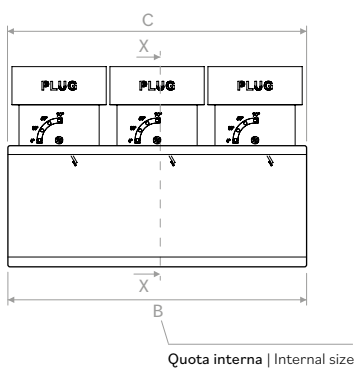
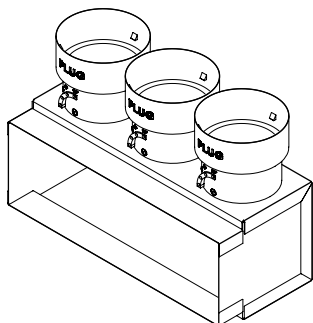
Sezione | Section X-X



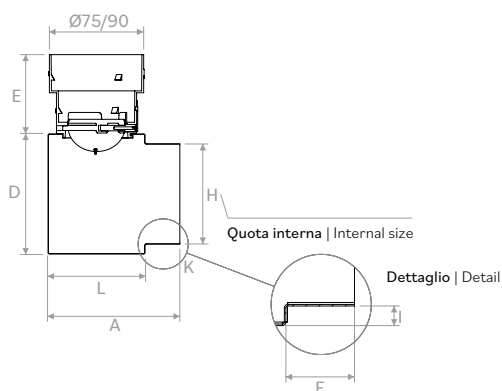
Modello Model	N° PLUG 75/90		A	B	C	D	E	F	G	H	I	L	M
PLUGPBF1 1200x100	2	mm	135	202	205	124	80	35	100	102	10	100	25
PLUGPBF1 1300x100	3	mm	135	302	305	124	80	35	100	102	10	100	25
PLUGPBF1 1400x100	4	mm	135	402	405	124	80	35	100	102	10	100	25
PLUGPBF1 1500x100	5	mm	135	502	505	124	80	35	100	102	10	100	25



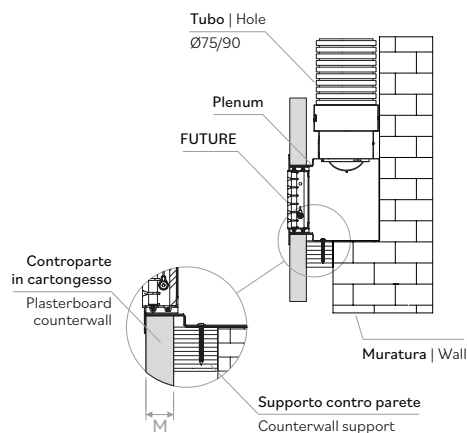
PLUGPBF2



Sezione | Section X-X



Esempio di installazione | Installation example



Modello Model	N° PLUG 75/90		A	B	C	D	E	F	G	H	I	L	M
PLUGPBF2 200x100	2	mm	135	202	205	124	80	35	100	102	10	100	25
PLUGPBF2 300x100	3	mm	135	302	305	124	80	35	100	102	10	100	25
PLUGPBF2 400x100	4	mm	135	402	405	124	80	35	100	102	10	100	25
PLUGPBF2 500x100	5	mm	135	502	505	124	80	35	100	102	10	100	25



FUTURE

TABELLA DI SELEZIONE | SELECTION TABLE

FUTURE 10/15

Modello Model	A _k [m ²]	Q [m ³ /h]		L _{WA} [dB(A)]		X _(0,25) [m]		Dp _t [Pa]	
		min	max	min	max	min	max	min	max
FUTURE 200x100	0,0055	50	110	20	27	2,9	5,3	5	20
FUTURE 300x100	0,0083	80	160	20	34	3,5	6,6	5	20
FUTURE 400x100	0,0145	130	270	22	36	4,3	8,5	5	20
FUTURE 500x100	0,0206	190	390	24	38	5,3	10,3	5	20

FUTURE T

Modello Model	A _k [m ²]	Q [m ³ /h]		L _{WA} [dB(A)]		Dp _t [Pa]	
		min	max	min	max	min	max
FUTURE 200x100	0,0078	30	80	<20	25	5	20
FUTURE 300x100	0,0104	40	110	20	34	5	20
FUTURE 400x100	0,013	50	130	22	36	5	20
FUTURE 500x100	0,0156	60	160	24	38	5	20



PREZZI | PRICES

BxH	FUTURE 10	FUTURE 15	FUTURE T	PLUGPBF1*	PLUGPBF1**	PLUGPBF2*	PLUGPBF2**	FTR FUTURE
mm					€			
200x100								
300x100								
400x100								
500x100								

* Lamiera zincata verniciata RAL 9005 | Galvanized steel RAL 9005 painted

** Lamiera zincata verniciata RAL 9005 e isolamento esterno in polietilene
Galvanized steel RAL 9005 painted and external insulation in polyethylene

