



VA E BLANCA



VA BLACK

Decorative cooker hoods.

### Characteristics:

- Frontal suction.
- Capacitor motor.
- Professional type aluminium filters.
- Speed selector: Touch control.
- Telescopic chimney fitting.
- Backdraft shutter.
- Reducer for discharge from 150 to 120 mm, for Ø 120 ducts.
- Air renovation mode.

### Operating modes

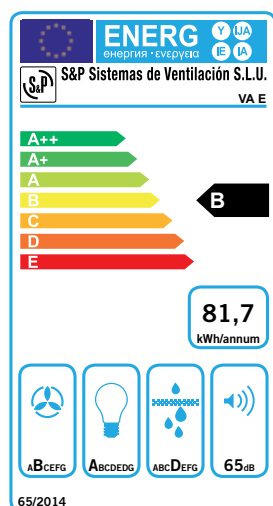
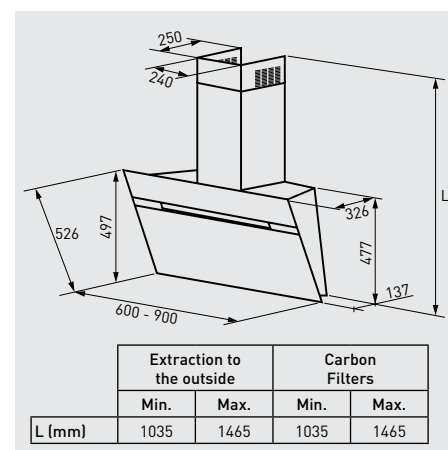


Outlet



Air recirculation through carbon filter (accessory)

### DIMENSIONS (mm)



### TECHNICAL CHARACTERISTICS

| Model           | Color       | Cooker hoods width (mm) | Ø Discharge duct (mm) | Airflow at free discharge (m <sup>3</sup> /h) | Supply       | Speed | Timer   | Motors | Motor Power (W) | Illumination | Maximum absorbed current (A) | Sound pressure level** (dB (A)) |
|-----------------|-------------|-------------------------|-----------------------|---|--------------|-------|---------|--------|-----------------|--------------|------------------------------|---------------------------------|
| VA-600 E BLANCA | WHITE GLASS | 600                     | 150                   | 660 <sup>(1)</sup> /760 <sup>(2)</sup>        | 230V-50/60Hz | 3+1*  | 15 min. | 1      | 260             | Led 2x2,5W   | 1,5                          | 54 (1) / 58 (2)                 |
| VA-900 E BLANCA | WHITE GLASS | 900                     | 150                   | 660 <sup>(1)</sup> /760 <sup>(2)</sup>        | 230V-50/60Hz | 3+1*  | 15 min. | 1      | 260             | Led 2x2,5W   | 1,5                          | 54 (1) / 58 (2)                 |
| VA-600 E BLACK  | BLACK GLASS | 900                     | 150                   | 570 <sup>(1)</sup> /660 <sup>(2)</sup>        | 230V-50Hz    | 3+1*  | 15 min. | 1      | 260             | Led 2x2,5W   | 1,5                          | 54 (1) / 58 (2)                 |
| VA-900 E BLACK  | BLACK GLASS | 900                     | 150                   | 570 <sup>(1)</sup> /660 <sup>(2)</sup>        | 230V-50Hz    | 3+1*  | 15 min. | 1      | 260             | Led 2x2,5W   | 1,5                          | 54 (1) / 58 (2)                 |

\* 3 speeds + TURBO speed timed during 15 min.  
 \*\* Measured at 1,5 m at free air conditions.  
 (1) Normal functioning.  
 (2) Operation with TURBO speed timed.

### ACCESSORIES



**GSA-125 M0**  
**GSA-150 M0**  
 Flexible aluminium ducting



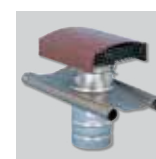
**CX-125/215**  
 Worm drive clips.



**PER-125 W**  
**PER-160 W**  
 Backdraft shutters.



**GRA-100**  
**GRA-150**  
 Aluminium guards.



**CT-125**  
**CT-150**  
 Roof cowl.

### CARBON FILTER VA E\*

\* 2 filters with the cooker hood.