

Traditional cooker hoods.

Characteristics:
HP-E: synthetic filter.
HP-E PLUS: metallic filter.
Backdraft shutter.
Upper extraction.

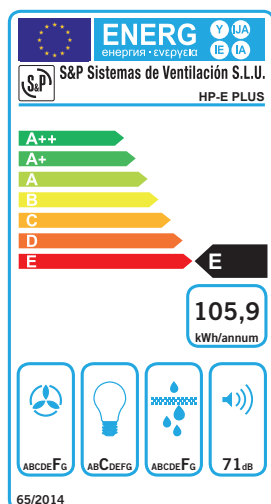
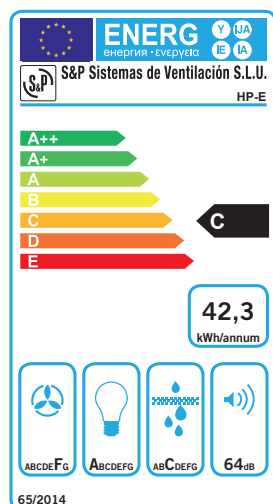
Operating modes



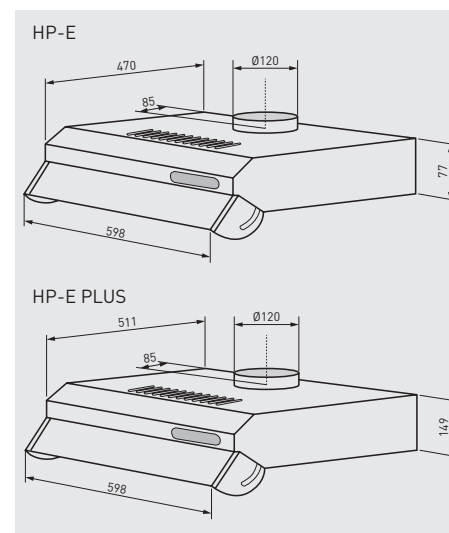
Outlet



Air recirculation through carbon filter, as accessory



DIMENSIONS (mm)



TECHNICAL CHARACTERISTICS

Model	Color	Cooker hoods width (mm)	Ø Discharge duct (mm)	Airflow at free discharge (m³/h)	Supply	Speed	Motors	Motor Power (W)	Illumination	Maximum absorbed current (A)	Sound pressure level* (dB (A))
HP-60 E MARRON	BROWN	600	120	205	230V-50/60Hz	3	1	50	Led 1x3W	0,23	56
HP-60 E BLANCA	WHITE	600	120	205	230V-50/60Hz	3	1	50	Led 1x3W	0,23	56
HP-60 E N PLUS BLANCA	WHITE	600	120	272	230V-50/60Hz	3	1	115	Led 2x3W	0,53	59

* Sound pressure level measured at 1,5 m at free air conditions.

ACCESSORIES



GSA-125 M0
Flexible aluminium ducting.



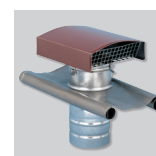
CX-125/215
Worm drive clips.



PER-100 W
Backdraft shutters.



GRA-100
Aluminium guards.



CT-125
Roof cowl.



CARBON FILTER HP E
(1 unit with the cooker hood)
CARBON FILTER HP E N PLUS
(1 unit with the cooker hood)