

Traditional cooker hoods.
Built-in assembly.

Characteristics:
Backdraft shutter.
Metallic filter.
Speed/light selector.
Upper extraction.

Operating modes:

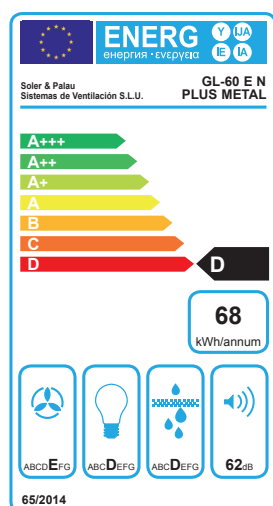
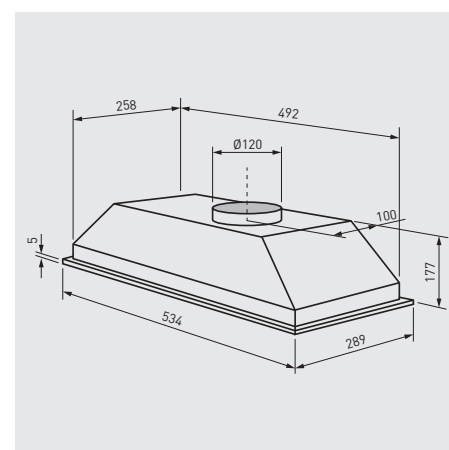


Outlet



Air recirculation
through carbon
filter (accessory)

DIMENSIONS (mm)



TECHNICAL CHARACTERISTICS

Model	Color	Cooker hoods width (mm)	Ø Discharge duct (mm)	Airflow at free discharge (m ³ /h)	Supply	Speed	Motors	Motor power (W)	Illumination	Maximum absorbed current (A)	Sound pressure level* (dB (A))
GL-60 E N PLUS METAL	GREY	600	120	302	230V-50/60Hz	3	1	115	Led 2x3W	0,53	50

* Sound pressure level measured at 1,5 m at free air conditions.

ACCESSORIES



GSA-125 M0
Flexible aluminium ducting.



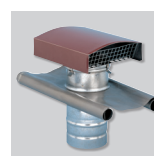
CX-125/215
Worm drive clips.



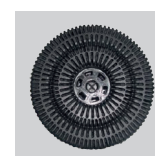
PER-100 W
Backdraft shutters.



GRA-100
Aluminium guards.



CT-125
Roof cowl.



CARBON FILTER
GE E N, GL E N, GET E
(2 filters with the cooker hood.)