

Traditional cooker hoods.
Built-in assembly.

Characteristics:
Backdraft shutter.
Metallic filter.
Speed/light selector.
Upper extraction.

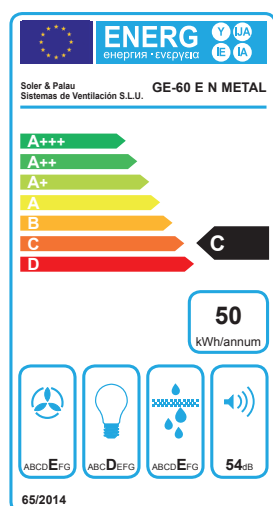
Operating modes



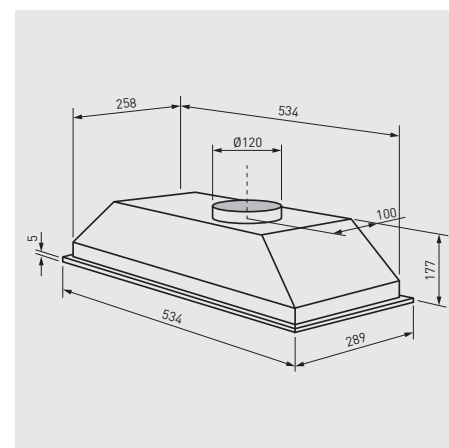
Outlet



Air recirculation
through carbon
filter (accessory)



DIMENSIONS (mm)



TECHNICAL CHARACTERISTICS

Model	Color	Cooker hood width (mm)	Ø Discharge duct (mm)	Airflow at free discharge (m³/h)	Supply	Speed	Motors	Motor Power (W)	Illumination	Maximum absorbed current (A)	Sound pressure level* (dB (A))
GE-60 E N METAL	GRAY	600	120	224	230V-50/60Hz	3	1	75	Led 2x3W	0,35	42

* Sound pressure level measured at 1,5 m at free air conditions.

ACCESSORIES



GSA-125 M0
Flexible aluminium ducting.



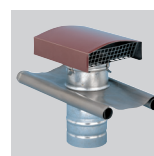
CX-125/215
Worm drive clips.



PER-100 W
Backdraft shutters.



GRA-100
Aluminium guards.



CT-125
Roof cowl.



CARBON FILTER
GE E N, GL E N, GET E
(2 units with the kitchen hood)