

High-performance wall-mounted air curtains with electric coil to be installed in commercial environments.

#### Characteristics

##### Suitable for up to 4 m high installation.

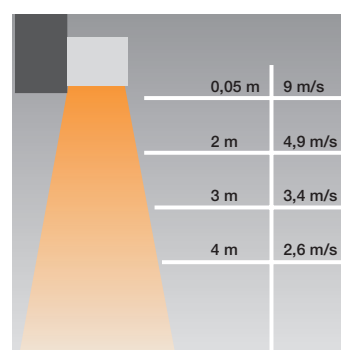
Built-in manual or automatic control.  
Modbus communication.  
Centrifugal motor-fan assembly with forward blades.  
Hidden front-side suction and adjustable vertical exhaust.

#### On request

Versions not equipped with an ADVANCE (SM) control unit.

#### Applications

See Curtains - Introduction page: Characteristics and Applications.



Distance/air speed



**ADVANCE** touch screen control included in all COR-PRO series.  
LxWxH (mm): 125x90x32

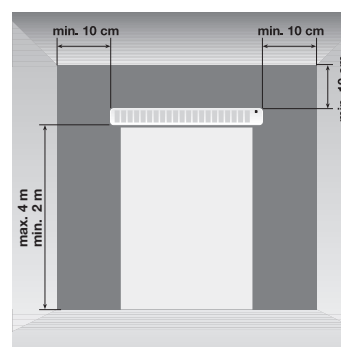
Basic functionalities:

- Manual control by selecting target speed.
- Automatic control via temperature set-point and door status (requires CR-MAGNET COR-PRO accessory). It is possible to select the target temperature using a sensor at the exhaust outlet (factory-installed) or an ambient sensor (included in the wall-mounted packaging).
- Programmable weekly schedule.
- Summer/winter mode.
- Modbus communication.

The connection between the control and the curtain must be made via an RJ45 cable (not included).  
Accessory RJ45-10 COR-PRO (10 m long).

It also incorporates a room temperature sensor that can be installed for automatic system control based on the target ambient temperature.

LxWxH (mm): 72x59x28



Installation height

# WALLED-MOUNTED AIR CURTAINS FOR COMMERCIAL USE

## COR-PRO Series



### TECHNICAL CHARACTERISTICS

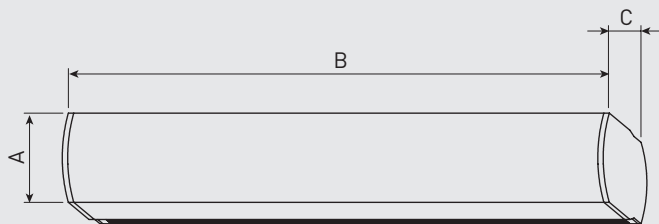
Model	Voltage 50Hz (V)	Heating capacity (kW)	Motor power (W)	Int. abs. (A)	Speeds	Flow rate (m³/h)			Air outlet speed <sup>1</sup> (m/s)	Maximum <sup>2</sup> ΔT (°C)			Decibel level <sup>3</sup> (dB(A))	Weight (kg)	Colour
						Speed				Speed/Power					
						Fast	Medium	Slow		High	Medium	Slow			
COR-PRO 5 1000 ADVANCE	3N 400	5/2,5	810	8,4	3	2.600	1.800	900	9	6	8	17	59	45	White RAL 9010
COR-PRO 7,5 1000 ADVANCE	3N 400	7,5/5/2,5	810	12	3	2.600	1.800	900	9	9	12	25	59	45	White RAL 9010
COR-PRO 7,5 1500 ADVANCE	3N 400	7,5/5/2,5	1.080	12	3	3.650	2.400	1.200	9	6	9	19	62	69	White RAL 9010
COR-PRO 10 1500 ADVANCE	3N 400	10/5	1.080	16	3	3.650	2.400	1.200	9	8	12	25	62	69	White RAL 9010
COR-PRO 15 1500 ADVANCE	3N 400	15/7,5	1.080	23,3	3	3.650	2.400	1.200	9	12	19	37	62	69	White RAL 9010
COR-PRO 15 2000 ADVANCE	3N 400	15/7,5	1.350	23,6	3	5.250	3.500	1.750	9	9	13	26	62	86	White RAL 9010
COR-PRO 20 2000 ADVANCE	3N 400	20/12,5/7,5	1.350	30,9	3	5.250	3.500	1.750	9	11	17	34	62	86	White RAL 9010
COR-PRO 25 2500 ADVANCE	3N 400	25/15/10	1.620	38,5	3	6.380	4.300	2.150	9	11	17	35	65	111	White RAL 9010

1. Maximum flow rate measured according to AMCA 220.

2. Values with the following conditions: maximum power and +15°C air inlet temperature.

3. Measured at 3 m distance, unobstructed area.

### DIMENSIONS (mm)



Model	Dimensions (mm)
1000	A: 330 B: 1.000 C: 700
1500	A: 330 B: 1.500 C: 700
2000	A: 330 B: 2.000 C: 700
2500	A: 330 B: 2.500 C: 700

### ACCESSORIES



**CR-MAGNET COR-PRO**  
Magnetic contact for open/closed door detection. Includes a 2.5 m long cable.  
LxWxH (mm): 45x12x10



**RJ45-10 COR-PRO**  
10 m long RJ45 type cable to connect the control unit to the air curtain.

**RJ11-5 COR-PRO**  
5 m long RJ11 type cable for master-slave connection between air curtains.



**SOP.COR-PRO**  
Includes two wall mount support units.

**SOP.COR-PRO 2500**  
Special accessory for the 2,500 mm long models. Includes three wall mount support units.